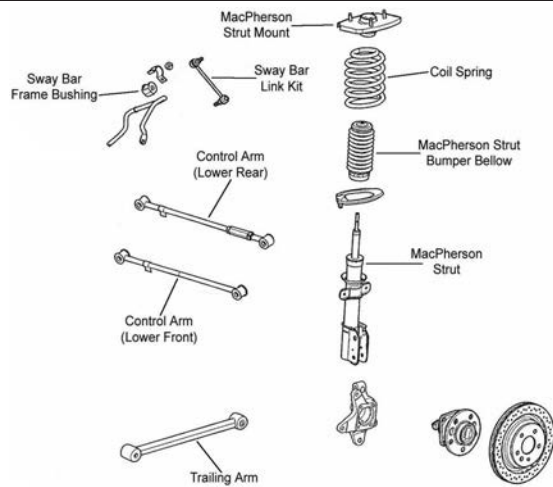


# CHEVROLET-Impala Limited (Cont.)

## REAR SUSPENSION

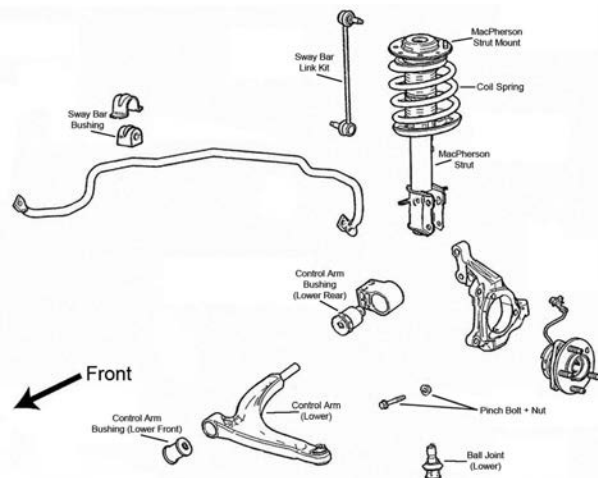


R013

Year	Model/Application	Part	P/C Qty	Figure
<b>Control Arm</b>				
2016-2014	(R-Series) (R-Series)	Lower Rear Lower Front	2 2	R013 R013
<b>Strut Bumper Bellows</b>				
2016-2014	(Contains Bumper)		2	R013
<b>Strut Mount</b>				
2016-2014	(Universal Type) (Bearing Not Included, Original Equipment Type)	Right	2 1	R013 R013
<b>Strut Mounting Kit</b>				
2016-2014	(Super Kit Contains Universal Mount And OE Style Bumper / Bellows)		2	R013
<b>Strut Spring Seat</b>				
2016-2014	(Insulator Only)	Lower	2	R013
<b>Sway Bar Bushing</b>				
2016-2014	15mm Sway Bar Diameter, (Reduces Noise) 17mm Sway Bar Diameter, (Reduces Noise)	To Frame To Frame	1 1	R013 R013
<b>Sway Bar Link</b>				
2016-2014	(Powdered Metal Gusher Brg. For Better Lubrication)		2	R013
<b>Trailing Link</b>				
2016-2014	(R-Series)		2	R013
<b>Wheel Hub &amp; Bearing Assembly</b>				
2016-2014			2	

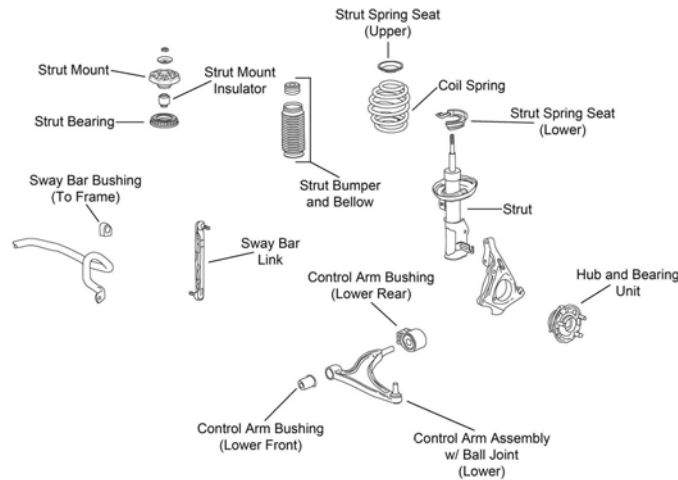
# CHEVROLET-Malibu

## FRONT SUSPENSION



F060

## FRONT SUSPENSION (Cont.)



F566

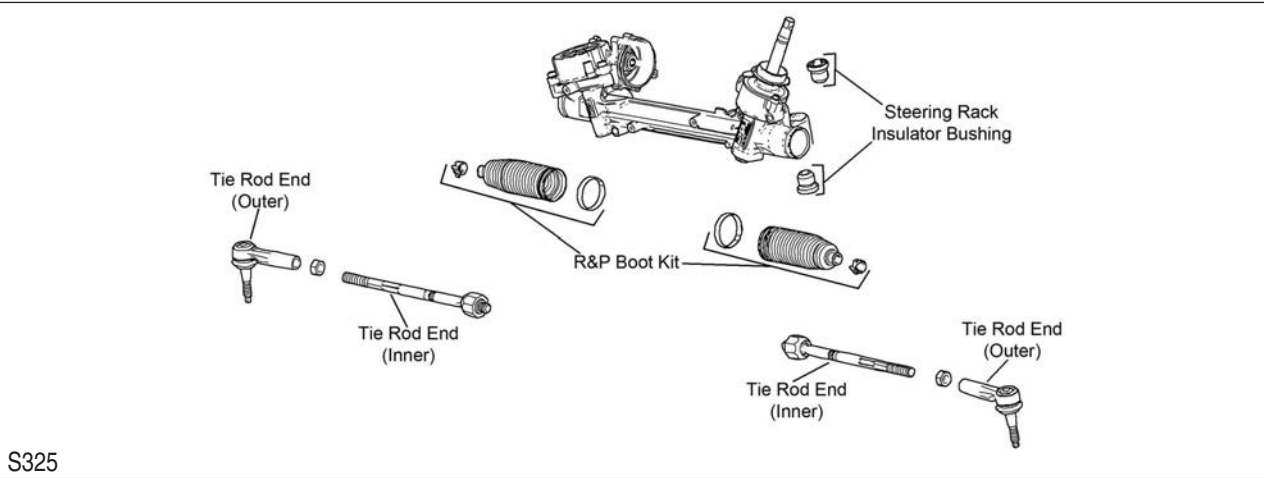
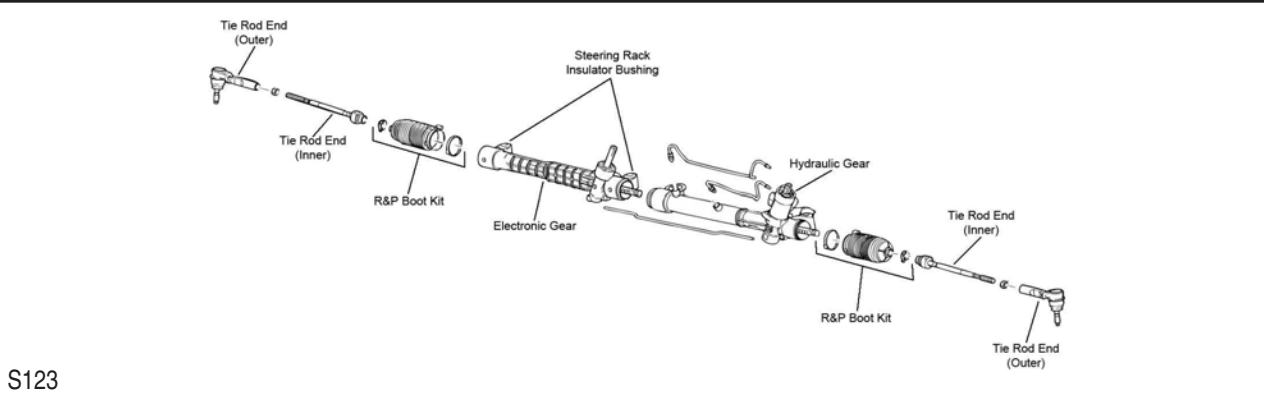
Year	Model/Application	Part	P/C Qty	Figure	
<b>Control Arm Bushing</b>					
2015-2013		Lower Rear Lower Front	K201259 K201258	2 2	F566 F566
2012-2004	(Design Allows Ease Of Installation) (High Quality Elastomer For Durability And Performance)	Lower Rear Lower Front	K200898 ‡ K200247 ‡	2 2	F060 F060
<b>Control Arm with Ball Joint</b>					
2016-2013	(R-Series) (R-Series)	Left Lower Right Lower	RK641500 RK641501	1 1	F566 F566
2012-2004	(Contains Front And Rear Bushings, Powdered Metal Gusher Brg. For Better Lubrication) (Contains Front Bushings, R-Series) (Contains Front Bushings, Powdered Metal Gusher Brg. For Better Lubrication) (Contains Front Bushings, R-Series) (Powdered Metal Gusher Brg. For Better Lubrication)	Left Lower Left Lower Right Lower Right Lower Right Lower	CK621201 ‡ RK620179 CK620180 ‡ RK620180 CK621200 ‡	1 1 1 1 1	F060 F060 F060 F060 F060
<b>Strut and Spring Assembly</b>					
2012	LS, LT, LT Platinum Edition, LTZ, LZ LS, LT, LT Platinum Edition, LTZ, LZ	Left Right	ST8601L ST8601R	1 1	F060 F060
2011-2010	LS, LT, LT Platinum Edition, LTZ LS, LT, LT Platinum Edition, LTZ	Left Right	ST8601L ST8601R	1 1	F060 F060
2009-2004		Left Right	ST8601L ST8601R	1 1	F060 F060
<b>Strut Bumper Bellows</b>					
2015-2013			K150275	2	F566
2012-2004	(Replacement Type, Contains Bumper)		K90460	2	F060
<b>Strut Mount</b>					
2015-2013	(Contains Bearing, Superior Rubber To Steel Bonding For Durability)		K160214 ‡	2	F566
2012-2004	(Contains Bearing) (Contains Bearing)	Left Right	K160002 K160003	1 1	F060 F060
<b>Strut Spring Seat</b>					
2012-2004	(Contains Insulator) (Insulator Only, Reduces Noise)	Upper Lower	K160136 ‡ K160137 ‡	2 2	F060 F060
<b>Sway Bar Bushing</b>					
2012-2008	(Reduces Noise)	To Frame	K200320 ‡	1	F060
2007	LS, LT, LTZ, Maxx LS, Maxx LT, (Reduces Noise) Maxx LTZ, Maxx SS, SS, (Reduces Noise)	To Frame To Frame	K200319 ‡ K200320 ‡	1 1	F060 F060
2006	LS, LT, Maxx LS, (Reduces Noise) Maxx SS, SS, (Reduces Noise)	To Frame To Frame	K200319 ‡ K200320 ‡	1 1	F060 F060
2005-2004	LS, LT, (Reduces Noise)	To Frame	K200319 ‡	1	F060
<b>Sway Bar Link</b>					
2016-2013	(Improves Upon OE Design)		K750660 ‡	2	F566
2012-2011	(Improves Upon OE Design)		K750519 ‡	2	F060
2010	(Link With 2 Studs, Improves Upon OE Design)		K750519 ‡	2	F060
2009-2004	11.80" Overall Length, (Link With 2 Studs, Powdered Metal Gusher Brg. For Better Lubrication)		K80252 ‡	2	F060
<b>Wheel Hub &amp; Bearing Assembly</b>					
2018-2016			513398	2	

# CHEVROLET-Malibu (Cont.)

## FRONT SUSPENSION (Cont.)

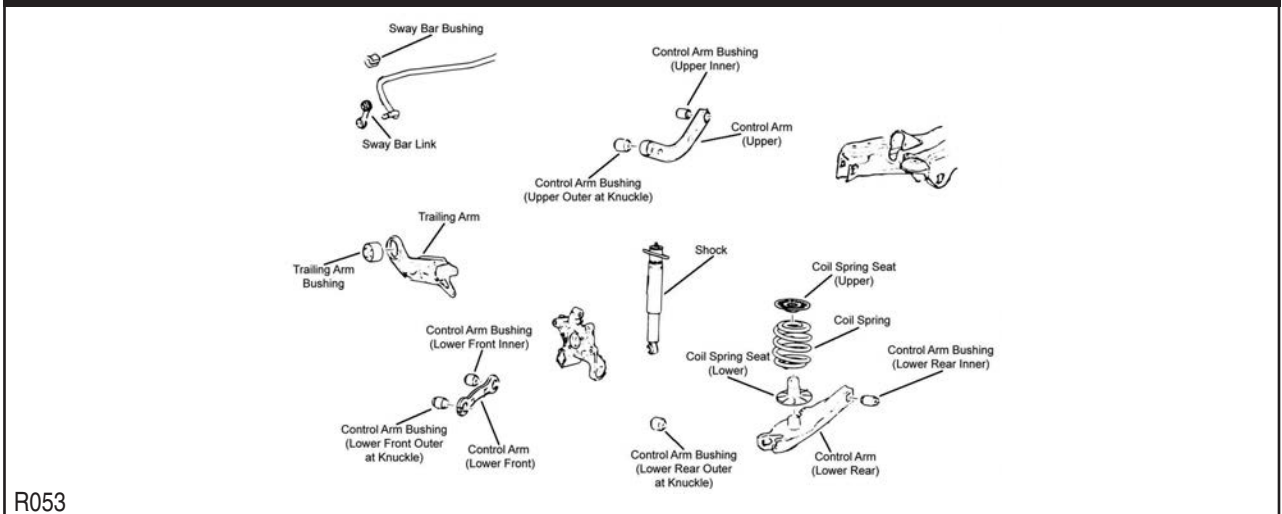
Year	Model/Application	Part	P/C Qty	Figure
<b>Wheel Hub &amp; Bearing Assembly</b>				
2015-2013		513288	2	
2012-2008		513214	2	
2007-2004	4 Wheel ABS Non ABS	513214	2	
		513215	2	

## STEERING

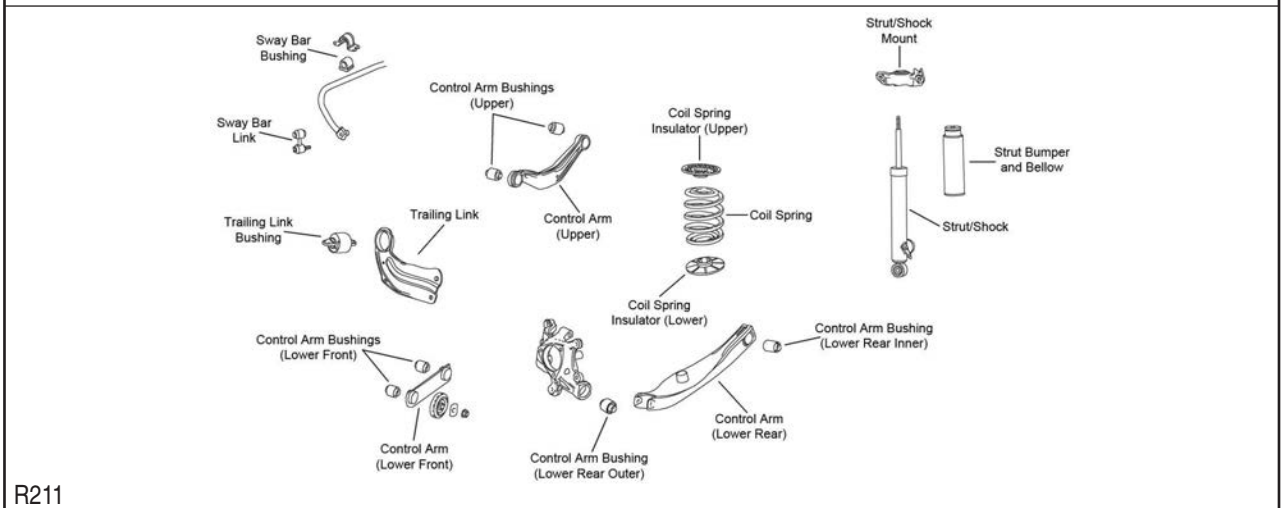


Year	Model/Application	Part	P/C Qty	Figure	
<b>Tie Rod End</b>					
2018-2016		Left Outer	ES801316 ‡	1	
		Right Outer	ES801317 ‡	1	
		Inner	EV801304	2	
2015	16" Or 17" Wheels, (Design Allows Ease Of Installation) 16" Or 17" Wheels, (Design Allows Ease Of Installation) 19" Wheels, 18" Wheels, (Design Allows Ease Of Installation)	Left Outer	ES801126 ‡	1	S325
		Right Outer	ES801127 ‡	1	S325
		Outer	ES800949 ‡	2	S325
2015-2013	19" Wheels, (Design Allows Ease Of Installation)	Inner	EV800962 ‡	2	S325
2014	Except Electronic Ride And Handling, (Design Allows Ease Of Installation)		ES800949 ‡	2	S325
2014-2013	Electronic Ride And Handling Suspension, (Design Allows Ease Of Installation) Electronic Ride And Handling Suspension, (Design Allows Ease Of Installation) Except Electronic Ride And Handling, Except 19" Wheels, (Design Allows Ease Of Installation)	Left Outer	ES801126 ‡	1	S325
		Right Outer	ES801127 ‡	1	S325
		Inner	EV800971 ‡	2	S325
2013	Except Electronic Ride And Handling, (Design Allows Ease Of Installation)	Outer	ES800949 ‡	2	S325
2012-2004	(Full Ball Stud Provides 360 Degrees Of Smooth Rotation) 5.25" Length, (Powdered Metal Gusher Brg. For Better Lubrication)	Inner	EV80988 ‡	2	S123
		Outer	ES800086 ‡	2	S123

## REAR SUSPENSION



R053



R211

Year	Model/Application	Part	P/C Qty	Figure
<b>Control Arm</b>				
2015-2013	4 Link Rear Suspension, (R-Series)	Lower Front	RK642743	2 R211
2012-2004	(Arm Only, R-Series)	Upper	RK641876	2 R053
	(Arm Only, R-Series)	Lower Rear	RK641849	2 R053
	(Lateral Link, R-Series)	Lower Front	RK641786	2 R053
<b>Control Arm Bushing</b>				
2012-2004		Lower Rear Inner	K201691	2 R053
2011-2004	(Design Allows Ease Of Installation)	Arm To Knuckle, Lower Rear	K200268 ‡	2 R053
<b>Shock Mount</b>				
2015-2013	(Design Allows Ease Of Installation)	Left	K160293 ‡	1 R211
	(Design Allows Ease Of Installation)	Right	K160292 ‡	1 R211
2012-2008			K160004	2 R053
2007	Maxx LS, Maxx LT, Maxx LTZ, Maxx SS		K160004	2 R053
2006	Maxx LS, Maxx SS		K160004	2 R053
<b>Strut Bumper Bellows</b>				
2015-2013			K201554	2 R211
<b>Sway Bar Bushing</b>				
2012-2008	4 Cyl, (Reduces Noise)	To Frame	K200306 ‡	1 R053
	V6 Cyl, (Reduces Noise)	To Frame	K200307 ‡	1 R053
2007	LS, LT, LTZ, (Reduces Noise)	To Frame	K200305 ‡	1 R053
	Maxx LS, Maxx LT, (Reduces Noise)	To Frame	K200306 ‡	1 R053
	Maxx LTZ, Maxx SS, (Reduces Noise)	To Frame	K200307 ‡	1 R053
	SS, Front Disc, Rear Disc, (Reduces Noise)	To Frame	K200307 ‡	1 R053
2006	Maxx SS, (Reduces Noise)	To Frame	K200307 ‡	1 R053
2006-2004	LS, LT, (Reduces Noise)	To Frame	K200305 ‡	1 R053

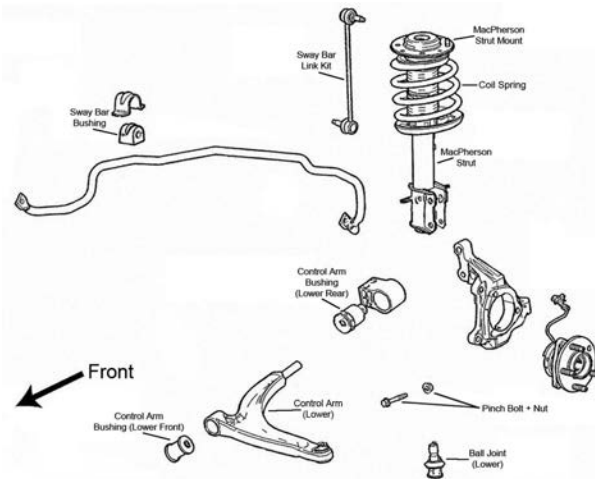
# CHEVROLET-Malibu (Cont.)

## REAR SUSPENSION (Cont.)

Year	Model/Application	Part	P/C Qty	Figure
<b>Sway Bar Link</b>				
2015-2013	(Improves Upon OE Design)	K750521 ‡	2	R211
2012-2006		K80851	2	R053
<b>Trailing Link</b>				
2015-2013	(R-Series)	Left RK642851	1	R211
	(R-Series)	Right RK642852	1	R211
2012-2010	(R-Series)	Left RK643043	1	R053
	(R-Series)	Right RK643042	1	R053
2008-2004	(R-Series)	Left RK643043	1	R053
	(R-Series)	Right RK643042	1	R053
<b>Wheel Hub &amp; Bearing Assembly</b>				
2018-2016		512575	2	
2015-2013		513288	2	
2012-2008		512285	2	
2007-2004	4 Wheel ABS	512285	2	
	Non ABS	512287	2	

# CHEVROLET-Malibu Classic

## FRONT SUSPENSION



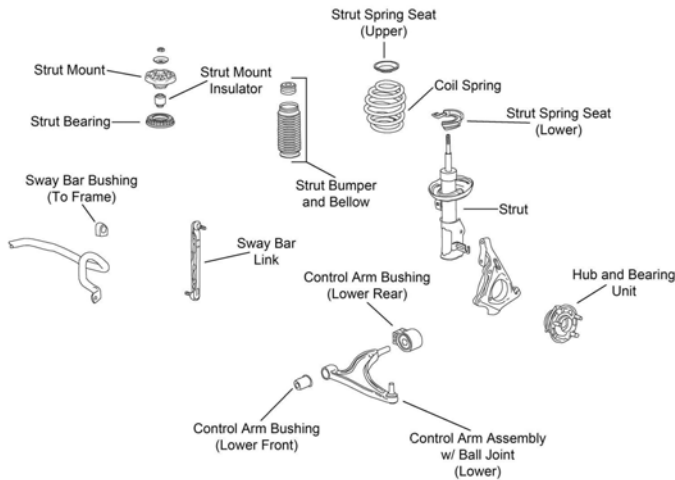
F060

Year	Model/Application	Part	P/C Qty	Figure
<b>Control Arm Bushing</b>				
2008	(Design Allows Ease Of Installation) (High Quality Elastomer For Durability And Performance)	Lower Rear K200898 ‡ Lower Front K200247 ‡	2 2	F060 F060
<b>Control Arm with Ball Joint</b>				
2008	(Contains Front And Rear Bushings, Powdered Metal Gusher Brg. For Better Lubrication)	Left Lower CK621201 ‡	1	F060
	(Contains Front Bushings, R-Series)	Left Lower RK620179	1	F060
	(Contains Front Bushings, Powdered Metal Gusher Brg. For Better Lubrication)	Right Lower CK620180 ‡	1	F060
	(Contains Front Bushings, R-Series)	Right Lower RK620180	1	F060
	(Powdered Metal Gusher Brg. For Better Lubrication)	Right Lower CK621200 ‡	1	F060
<b>Strut Bumper Bellows</b>				
2008	(Replacement Type, Contains Bumper)	K90460	2	F060
<b>Strut Mount</b>				
2008	(Contains Bearing)	Left K160002	1	F060
	(Contains Bearing)	Right K160003	1	F060
<b>Strut Spring Seat</b>				
2008	(Contains Insulator)	Upper K160136 ‡	2	F060
	(Insulator Only, Reduces Noise)	Lower K160137 ‡	2	F060
<b>Sway Bar Bushing</b>				
2008	(Reduces Noise)	To Frame K200319 ‡	1	F060
<b>Sway Bar Link</b>				
2008	11.80" Overall Length, (Powdered Metal Gusher Brg. For Better Lubrication)	K80252 ‡	2	F060

FRONT SUSPENSION (Cont.)				
Year	Model/Application	Part	P/C Qty	Figure
<b>Wheel Hub &amp; Bearing Assembly</b>				
2008		513214	2	
<b>STEERING</b>				
S123				
Year	Model/Application	Part	P/C Qty	Figure
<b>Tie Rod End</b>				
2008	(Powdered Metal Gusher Brg. For Better Lubrication) (Full Ball Stud Provides 360 Degrees Of Smooth Rotation)	Outer Inner	ES800086 ‡ EV80988 ‡	2 2 S123 S123
<b>REAR SUSPENSION</b>				
R053				
Year	Model/Application	Part	P/C Qty	Figure
<b>Control Arm</b>				
2008	(Arm Only, R-Series) (Arm Only, R-Series) (Lateral Link, R-Series)	Upper Lower Rear Lower Front	RK641876 RK641849 RK641786	2 2 2 R053 R053 R053
<b>Control Arm Bushing</b>				
2008	(Design Allows Ease Of Installation)	Arm To Knuckle, Lower Rear Lower Rear Inner	K200268 ‡ K201691	2 2 R053 R053
<b>Sway Bar Bushing</b>				
2008	(Reduces Noise)	To Frame	K200305 ‡	1 R053
<b>Sway Bar Link</b>				
2008			K80851	2 R053
<b>Trailing Link</b>				
2008	(R-Series) (R-Series)	Left Right	RK643043 RK643042	1 1 R053 R053
<b>Wheel Hub &amp; Bearing Assembly</b>				
2008		512285	2	

**CHEVROLET-Malibu Limited**

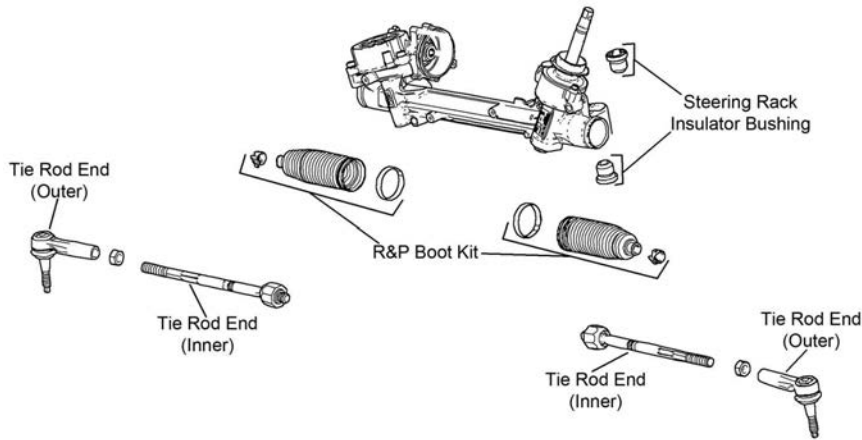
**FRONT SUSPENSION**



F566

Year	Model/Application	Part	P/C Qty	Figure
<b>Control Arm Bushing</b>				
2016		Lower Rear Lower Front	K201259 K201258	2 2 F566 F566
<b>Control Arm with Ball Joint</b>				
2016	(R-Series) (R-Series)	Left Lower Right Lower	RK641500 RK641501	1 1 F566 F566
<b>Strut Bumper Bellows</b>				
2016			K150275	2 F566
<b>Strut Mount</b>				
2016	(Contains Bearing, Superior Rubber To Steel Bonding For Durability)		K160214 ‡	2 F566
<b>Sway Bar Link</b>				
2016	(Improves Upon OE Design)		K750660 ‡	2 F566
<b>Wheel Hub &amp; Bearing Assembly</b>				
2016			513288	2

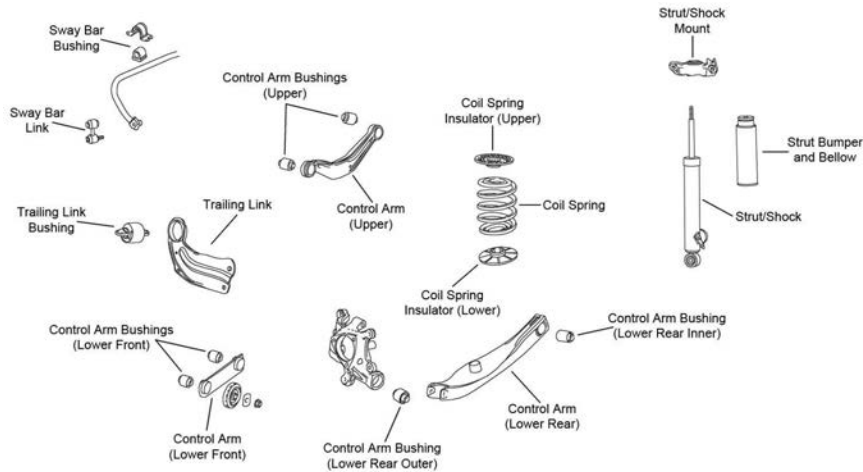
**STEERING**



S325

Year	Model/Application	Part	P/C Qty	Figure
<b>Tie Rod End</b>				
2016	16" Wheels, (Design Allows Ease Of Installation)	Inner	EV800971 ‡	2 S325
	19" Wheels, 18" Wheels, (Design Allows Ease Of Installation)	Inner	EV800962 ‡	2 S325
	Except Ride Handling Package, (Design Allows Ease Of Installation)	Outer	ES800949 ‡	2 S325
	Ride Handling Package, (Design Allows Ease Of Installation)	Left Outer	ES801126 ‡	1 S325
	Ride Handling Package, (Design Allows Ease Of Installation)	Right Outer	ES801127 ‡	1 S325

**REAR SUSPENSION**

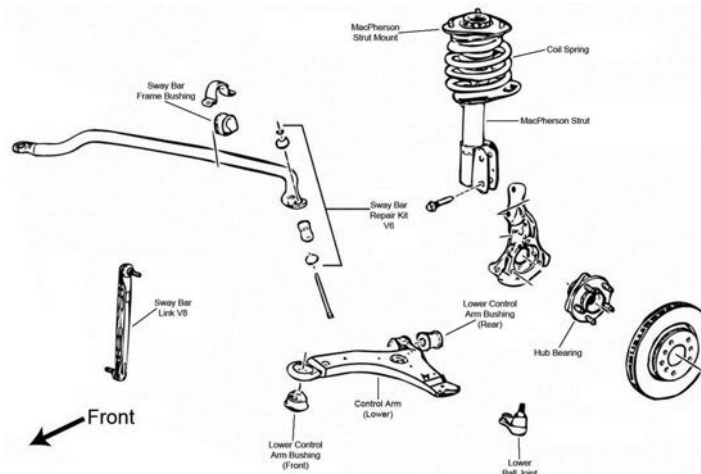


R211

Year	Model/Application	Part	P/C Qty	Figure
<b>Control Arm</b>				
2016	(R-Series)	Lower Front	RK642743	2 R211
<b>Shock Mount</b>				
2016	(Design Allows Ease Of Installation)	Left	K160293 ‡	1 R211
	(Design Allows Ease Of Installation)	Right	K160292 ‡	1 R211
<b>Strut Bumper Bellows</b>				
2016			K201554	2 R211
<b>Sway Bar Link</b>				
2016	(Improves Upon OE Design)		K750521 ‡	2 R211
<b>Trailing Link</b>				
2016	(R-Series)	Left	RK642851	1 R211
	(R-Series)	Right	RK642852	1 R211
<b>Wheel Hub &amp; Bearing Assembly</b>				
2016			513288	2

**Monte Carlo-CHEVROLET**

**FRONT SUSPENSION**



F020

Year	Model/Application	Part	P/C Qty	Figure
<b>Ball Joint</b>				
2007-2006	(Bolt On Type, Powdered Metal Gusher Brg. For Better Lubrication)	Lower	K5331 ‡	2 F020
<b>Control Arm Bushing</b>				
2007-2006	(Two Piece Bushing, Horizontal Mount)	Lower Rear	K80778	2 F020
	(Durable Socket Design Eases Installation, Vertical Mount)	Lower Front	K200787 ‡	2 F020
	(Vertical Mount)	Lower Front	K6712	2 F020