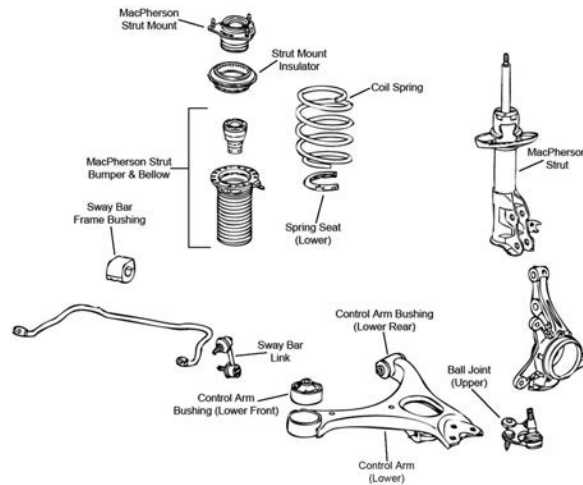


**FRONT SUSPENSION**



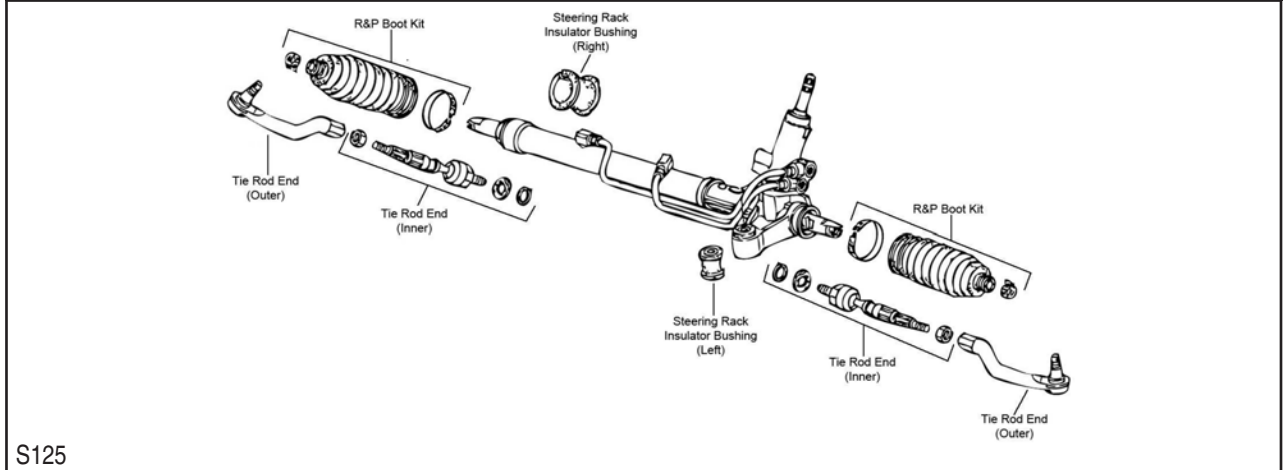
F345

Year	Model/Application	Part	P/C Qty	Figure
<b>Ball Joint</b>				
2015	DX, EX, EX-L, HF, Hybrid, LX, SE, (Greaseable Socket Reduces Corrosion/Wear)	Lower	K500234 ‡	2
2014	DX, EX, EX-L, Hybrid, LX, (Greaseable Socket Reduces Corrosion/Wear)	Lower	K500234 ‡	2
2013	DX, EX, EX-L, HF, Hybrid, LX, Natural Gas, Si, (Greaseable Socket Reduces Corrosion/Wear)	Lower	K500234 ‡	2
2012	DX, EX, EX-L, Hybrid, LX, (Greaseable Socket Reduces Corrosion/Wear)	Lower	K500234 ‡	2
2011-2006	(Bolt On Type, Powdered Metal Gusher Brg. For Better Lubrication)	Left Lower	K500070 ‡	1
	(Bolt On Type, Powdered Metal Gusher Brg. For Better Lubrication)	Right Lower	K500069 ‡	1
<b>Control Arm</b>				
2015-2014	5 Speed Manual Transaxle, (R-Series)	Left Lower	RK642519	1
	5 Speed Manual Transaxle, (R-Series)	Right Lower	RK642513	1
2013	Manual Transaxle, (R-Series)	Left Lower	RK642519	1
	Manual Transaxle, (R-Series)	Right Lower	RK642513	1
2012	(R-Series)	Left Lower	RK622038	1
	DX, EX, EX-L, LX, Si, (R-Series)	Right Lower	RK622039	1
	Hybrid, (R-Series)	Right Lower	RK642512	1
<b>Control Arm Bushing</b>				
2015-2012	CVT Automatic Transaxle, Automatic Transaxle	Lower Front	K201649	2
2011-2006	1339cc(1.3L)	Lower Rear	K201661	2
	1339cc(1.3L)	Lower Front	K201186	2
	1799cc(1.8L)	Lower Rear	K201661	2
	1799cc(1.8L)	Lower Front	K201186	2
<b>Control Arm with Ball Joint</b>				
2015-2014	6 Speed Manual Transaxle, (R-Series)	Left Lower	RK623053	1
	6 Speed Manual Transaxle, (R-Series)	Right Lower	RK623052	1
2011-2006	1339cc(1.3L), (R-Series)	Left Lower	RK620382	1
	1339cc(1.3L), (Contains Bushings, Greaseable Socket Reduces Corrosion/Wear)	Right Lower	CK620383 ‡	1
	1339cc(1.3L), (R-Series)	Right Lower	RK620383	1
	1799cc(1.8L), (R-Series)	Left Lower	RK620382	1
	1799cc(1.8L), (Contains Bushings, Greaseable Socket Reduces Corrosion/Wear)	Right Lower	CK620383 ‡	1
	1799cc(1.8L), (R-Series)	Right Lower	RK620383	1
<b>Strut Bumper Bellows</b>				
2015-2012	(Replacement Type, Contains Bumper)		K90460	2
2011-2006	(Replacement Type, Contains Bumper)		K90460	2
<b>Strut Mount</b>				
2015-2012	(Contains Bearing)		K160423	2
2011-2006	(Contains Bearing, Superior Rubber To Steel Bonding For Durability)		K160222 ‡	2
<b>Strut Spring Seat</b>				
2011-2006	(Contains Bellow)	Upper	K160373	2
<b>Sway Bar Bushing</b>				
2011-2006	1339cc(1.3L), (Reduces Noise)	To Frame	K200293 ‡	1
	1799cc(1.8L), 2 Dr. Coupe, (Reduces Noise)	To Frame	K200294 ‡	1
	1799cc(1.8L), 4 Dr. Sedan, (Reduces Noise)	To Frame	K200293 ‡	1
	1998cc(2.0L), (Reduces Noise)	To Frame	K200295 ‡	1
<b>Sway Bar Link</b>				
2018	1497cc(1.5L), Turbocharged		K750865 ‡	2

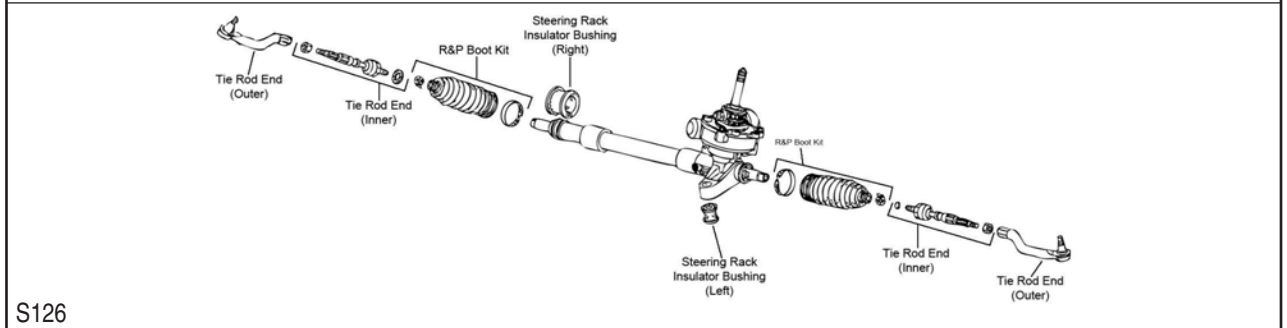
**FRONT SUSPENSION (Cont.)**

Year	Model/Application	Part	P/C Qty	Figure
<b>Sway Bar Link</b>				
2018 (Cont.)	1997cc(2.0L), Naturally Aspirated	K750865 ‡	2	
2017-2016		K750865 ‡	2	
2015-2012	(Improves Upon OE Design) (Improves Upon OE Design)	Left K750605 ‡ Right K750604 ‡	1 1	
2011-2006	(Powdered Metal Gusher Brg. For Better Lubrication) (Powdered Metal Gusher Brg. For Better Lubrication)	Left K80769 ‡ Right K80768 ‡	1 1	F345 F345

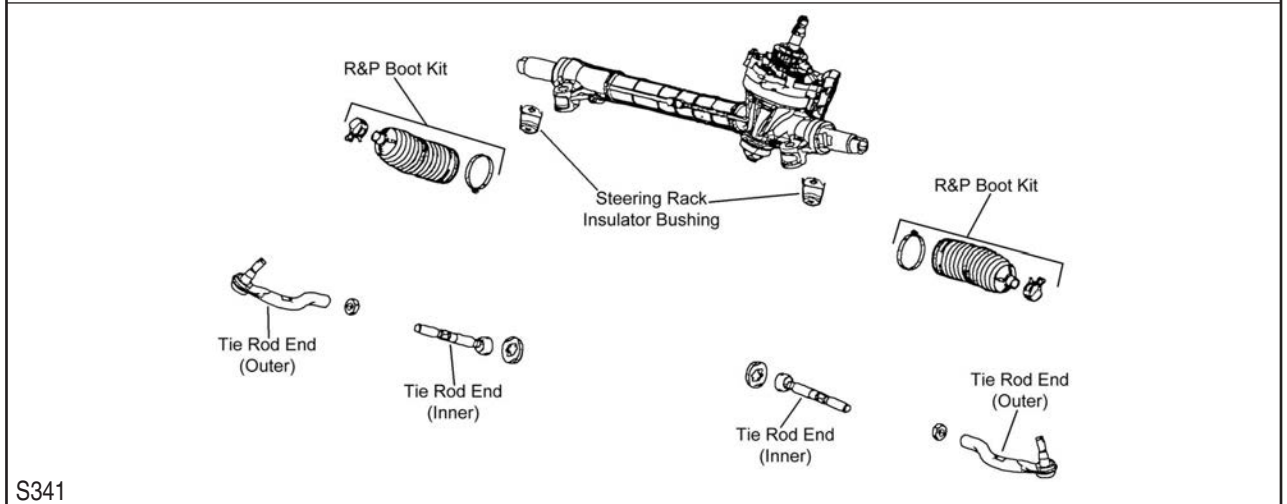
**STEERING**



S125



S126



S341

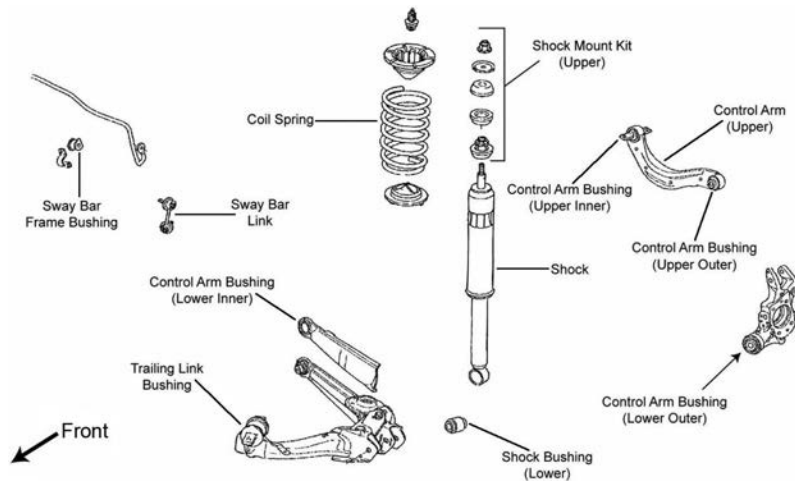
Year	Model/Application	Part	P/C Qty	Figure
<b>Rack &amp; Pinion Boot Kit</b>				
2011-2006		K150284	2	S125, S126
<b>Tie Rod End</b>				
2018	EX, EX-L, EX-T, LX, Touring	Inner EV801274 ‡	2	
2017-2016		Inner EV801274 ‡	2	

# HONDA-Civic (Cont.)

## STEERING (Cont.)

Year	Model/Application	Part	P/C Qty	Figure
<b>Tie Rod End</b>				
2015-2012	(Design Allows Ease Of Installation)	Left Outer	ES800912 ‡	1 S341
	(Design Allows Ease Of Installation)	Right Outer	ES800913 ‡	1 S341
	(Design Allows Ease Of Installation)	Inner	EV800906 ‡	2 S341
2011-2006	(Powdered Metal Gusher Brg. For Better Lubrication, Optional)	Left Outer	ES800374 ‡	1 S125, S126
	(Powdered Metal Gusher Brg. For Better Lubrication, Optional)	Right Outer	ES800373 ‡	1 S125, S126
	1339cc(1.3L), (20mm Thread At Steering Gear, Design Allows Ease Of Installation)	Inner	EV800323 ‡	2 S126
	1799cc(1.8L), (18mm Thread At Steering Gear, Knurled Stud Provides Positive Grip When Making Toe Adjustments)	Inner	EV800246 ‡	2 S125
	1998cc(2.0L), (20mm Thread At Steering Gear, Design Allows Ease Of Installation)	Inner	EV800323 ‡	2 S125

## REAR SUSPENSION



R027

Year	Model/Application	Part	P/C Qty	Figure
<b>Control Arm</b>				
2015-2007	Plus Or Minus 3 Degrees Camber	Upper	RK100391	2 R027
2011-2009	DX, DX-G, DX-VP, (R-Series) DX, DX-G, DX-VP, (R-Series)	Left Upper	RK642124	1 R027
		Right Upper	RK642125	1 R027
2008	DX, DX-G, (R-Series) DX, DX-G, (R-Series)	Left Upper	RK642124	1 R027
		Right Upper	RK642125	1 R027
2007-2006	(R-Series) (R-Series)	Left Upper	RK642124	1 R027
		Right Upper	RK642125	1 R027
<b>Control Arm Bushing</b>				
2007-2006		Lower Rear Outer	K200916	2 R027
<b>Strut Bushing</b>				
2011-2006		Lower	K90650	2 R027
<b>Sway Bar Bushing</b>				
2015-2013	(Reduces Noise)		K200734 ‡	2 R027
2012	DX, EX, EX-L, LX, (Split Design For Easier Installation) HF	To Frame	K200610 ‡	1 R027
		To Frame	K90574	1 R027
2011-2006	1339cc(1.3L)	To Frame	K90574	1 R027
	1799cc(1.8L), (Split Design For Easier Installation)	To Frame	K200610 ‡	1 R027
	1998cc(2.0L), (Reduces Noise)	To Frame	K200734 ‡	1 R027
<b>Sway Bar Link</b>				
2018	EX, EX-L, EX-T, LX, Sport, Sport Touring, Touring		K750874 ‡	2
2017-2016			K750874 ‡	2
2015-2006	(Link With 2 Studs, Powdered Metal Gusher Brg. For Better Lubrication) (Link With 2 Studs, Powdered Metal Gusher Brg. For Better Lubrication)	Left	K750125 ‡	1 R027
		Right	K750126 ‡	1 R027
<b>Wheel Hub &amp; Bearing Assembly</b>				
2018-2017	1497cc(1.5L), Turbocharged		512570	2
	1997cc(2.0L), Naturally Aspirated		512570	2
2016			512570	2
2015	EX, EX-L, SE, Si HF		512450	2
			512503	2
2015-2013	LX, Canada Built		512503	2
	LX, USA Built		512503	2
2014-2013	DX, HF		512503	2

REAR SUSPENSION (Cont.)				
Year	Model/Application	Part	P/C Qty	Figure
<b>Wheel Hub &amp; Bearing Assembly</b>				
2014-2013 (Cont.)	EX, EX-L, Si	512450	2	
2012	DX, LX	512451	2	
	DX, LX, Canada Built	512451	2	
	DX, LX, USA Built	512502	2	
	EX, EX-L, HF, Si	512450	2	
	GX, Hybrid, Natural Gas	512322	2	
2011	EX, Si	512256	2	
2011-2009	DX, DX-VP, GX, LX, Sport	512257	2	
2011-2006	Hybrid	512322	2	
2010-2008	EX, EX-L, Si	512256	2	
2008	DX, GX, LX	512257	2	
2007-2006	DX, DX-G, GX, LX	512257	2	
	EX, Si	512256	2	
<b>Wheel Hub Repair Kit</b>				
2015-2013	Hybrid, Natural Gas	512504	2	
	LX, USA Built	512504	2	

FRONT SUSPENSION				
F200				
Year	Model/Application	Part	P/C Qty	Figure
<b>Ball Joint</b>				
2015-2012	+/- 1 Degree Camber/Caster, (Adjustable, Greaseable Socket Reduces Corrosion/Wear)	Upper	K90492 ‡	2 F200
2014-2012	(Design Allows Ease Of Installation)	Lower	K500289 ‡	2 F200
<b>Strut Bumper Bellows</b>				
2015-2012	(Contains Bumper)		K90467	2 F200
<b>Strut Mounting Kit</b>				
2015-2012		Upper	K9492	2 F200
<b>Strut Spring Seat</b>				
2015-2012	(Insulator Only, Reduces Noise)	Lower	K160140 ‡	2 F200
<b>Sway Bar Bushing</b>				
2015-2013	3471cc(3.5L)	To Frame	K201576	1 F200
<b>Sway Bar Link</b>				
2015-2012	(Powdered Metal Gusher Brg. For Better Lubrication)	Left	K90456 ‡	1 F200
		Right	K90457 ‡	1 F200