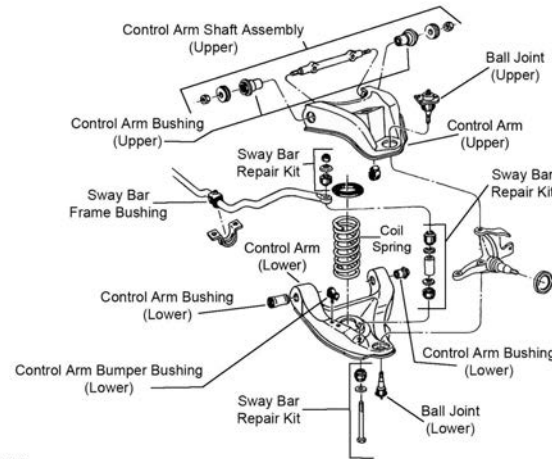


FRONT SUSPENSION



F188

F188

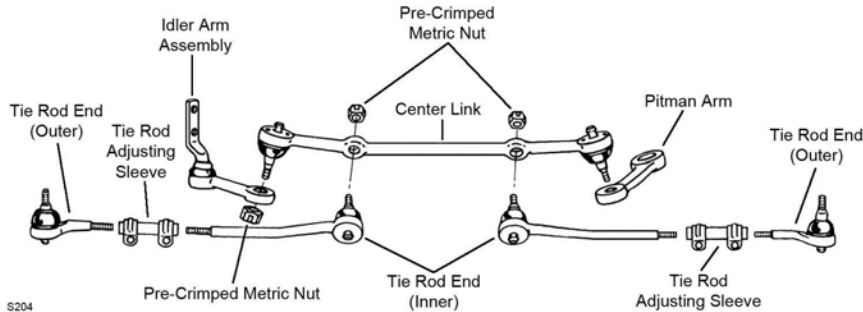
Year	Model/Application	Part	P/C Qty	Figure	
Ball Joint					
1977-1973	(Powdered Metal Gusher Brg. For Better Lubrication)	Upper	K5208 ‡	2	F188
	(Powdered Metal Gusher Brg. For Better Lubrication)	Lower	K6145T ‡	2	F188
1972-1964	(Powdered Metal Gusher Brg. For Better Lubrication)	Upper	K5108 ‡	2	F188
	(Powdered Metal Gusher Brg. For Better Lubrication)	Lower	K5103 ‡	2	F188
Control Arm Bumper Bushing					
1977-1973		Lower	K6606	2	F188
Control Arm Bushing					
1977-1975		Lower Front	K3113	2	F188
1977-1973		Lower Rear	K5262	2	F188
1974-1973	1-5/8" Outside Diameter	Lower Front	K3113	2	F188
1966-1964	1.900" Outside Diameter, (Contains Front And Rear Bushings)	Lower Rear	K5144	2	F188
Control Arm Bushing Set					
1977-1974		Upper	K6144	2	F188
1977-1973	(Contains Front And Rear Bushings)	Lower	K6109	2	F188
1973	(Contains Front And Rear Bushings)	Upper	K6108	2	F188
1972-1967	(Contains Oval Rear Bushing, Contains Front And Rear Bushings)	Lower	K5149	2	F188
1972-1966	(Contains Round Rear Bushing, Contains Front And Rear Bushings)	Lower	K6076	2	F188
1972-1964	(Contains Front And Rear Bushings)	Upper	K5196	2	F188
Control Arm Shaft Assembly					
1977-1974	(Provides Additional Positive(+) Camber Adjustment, Offset Shaft Kit, Design Allows Ease Of Installation)	Upper	K6146 ‡	2	F188
1973	(Provides Additional Positive(+) Camber Adjustment, Offset Shaft Kit, Design Allows Ease Of Installation)	Upper	K6148 ‡	2	F188
1972-1964	(Provides Additional Positive(+) Camber Adjustment, Offset Shaft Kit, Design Allows Ease Of Installation)	Upper	K5250 ‡	2	F188
Sway Bar Bushing					
1977-1976	1" To 1-9/64" Sway Bar Diameter, Tabs On Mounting Clamps	To Frame	K6161	1	F188
	15/16" Sway Bar Diameter, Tabs On Mounting Clamps	To Frame	K5241	1	F188
1975-1968	1" Sway Bar Diameter	To Frame	K5253	1	F188
	15/16" Sway Bar Diameter	To Frame	K5241	1	F188
1967	250(4.1L), (Standard Design)	To Frame	K5227	1	F188
1967-1965	230(3.8L), (Standard Design)	To Frame	K5227	1	F188
	283(4.6L), (Standard Design)	To Frame	K5227	1	F188
	327(5.4L), (Standard Design)	To Frame	K5227	1	F188
1966-1965	194(3.2L), (Standard Design)	To Frame	K5227	1	F188
1965	396(6.6L)	To Frame	K7096	1	F188
1964	(Standard Design)	To Frame	K5227	1	F188
Sway Bar Repair Kit					
1977-1973	(Heavy Duty Design)		K6630 ‡	2	F188
	(Includes Polyurethane Bushings And Solid Metal Sleeve For Enhanced Performance. Barrel Nut Allows For Easier Installation.)		K700532 ‡	2	F188
	(Standard Design)		K5252	2	F188
1972-1964	(Heavy Duty Design)		K6629 ‡	2	F188

CHEVROLET-Chevelle (Cont.)

FRONT SUSPENSION (Cont.)

Year	Model/Application	Part	P/C Qty	Figure
Sway Bar Repair Kit				
1972-1964 (Cont.)	(Includes Polyurethane Bushings And Solid Metal Sleeve For Enhanced Performance. Barrel Nut Allows For Easier Installation.) (Standard Design)	K700535 ‡	2	F188
		K8266	2	F188

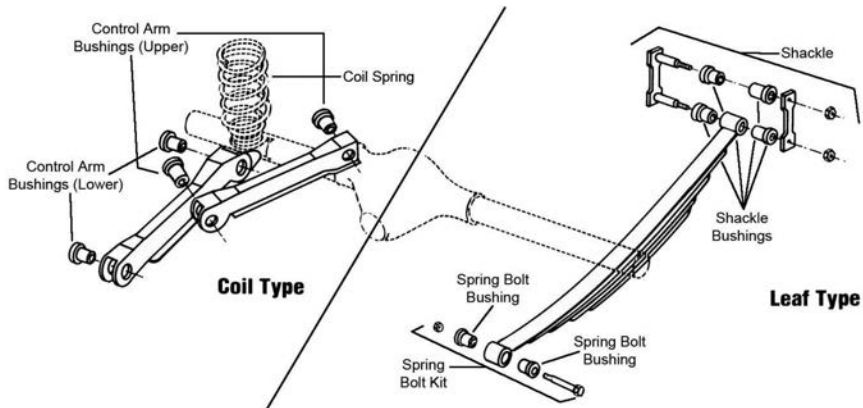
STEERING



S204

Year	Model/Application	Part	P/C Qty	Figure
Center Link				
1977-1973	Power Steering, (Powdered Metal Gusher Brg. For Better Lubrication)	DS808 ‡	1	S204
1972-1968	(Powdered Metal Gusher Brg. For Better Lubrication)	DS749 ‡	1	S204
Idler Arm				
1977-1975	(Powdered Metal Gusher Brg. For Better Lubrication)	K6152 ‡	1	S204
1974-1973	(Powdered Metal Gusher Brg. For Better Lubrication)	K6149 ‡	1	S204
1972-1968	(Powdered Metal Gusher Brg. For Better Lubrication)	K5143 ‡	1	S204
1967-1965	(Powdered Metal Gusher Brg. For Better Lubrication)	K5142 ‡	1	S204
1964	13/16" Diameter Center Link, (Powdered Metal Gusher Brg. For Better Lubrication)	K5143 ‡	1	S204
	7/8" Diameter Center Link, (Powdered Metal Gusher Brg. For Better Lubrication)	K5142 ‡	1	S204
Tie Rod Adjusting Sleeve				
1977-1971		ES2004S	2	S204
1970-1964		ES2032S	2	S204
Tie Rod End				
1977-1973	(Powdered Metal Gusher Brg. For Better Lubrication)	Inner ES2020RLT ‡	2	S204
1973	(Powdered Metal Gusher Brg. For Better Lubrication)	Outer ES427R ‡	2	S204
1972-1971	(Powdered Metal Gusher Brg. For Better Lubrication)	Outer ES406R ‡	2	S204
	(Powdered Metal Gusher Brg. For Better Lubrication)	Inner ES406L ‡	2	S204
1970-1964	(Powdered Metal Gusher Brg. For Better Lubrication)	Outer ES333RL ‡	2	S204
	(Powdered Metal Gusher Brg. For Better Lubrication)	Inner ES681N ‡	2	S204

REAR SUSPENSION



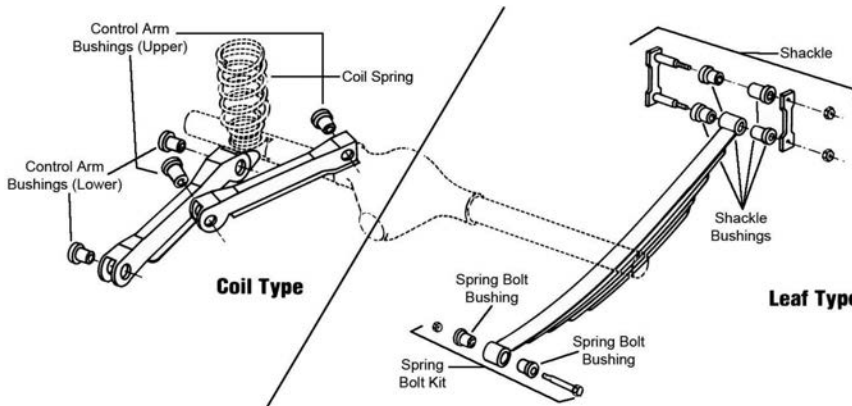
R310

Year	Model/Application	Part	P/C Qty	Figure
Control Arm Bushing Set				
1977-1964	(Contains Front And Rear Bushings)	Upper K5161	2	R310
	(Contains Front And Rear Bushings)	Lower K5161	2	R310

STEERING (Cont.)

Year	Model/Application	Part	P/C Qty	Figure	
Tie Rod Adjusting Sleeve					
1990-1971		ES2004S	2	S204	
Tie Rod End					
1990-1977	(Powdered Metal Gusher Brg. For Better Lubrication) (Powdered Metal Gusher Brg. For Better Lubrication)	Outer Inner	ES2019RLT ‡ ES2020RLT ‡	2 2	S204 S204
1976-1971	(Powdered Metal Gusher Brg. For Better Lubrication) (Powdered Metal Gusher Brg. For Better Lubrication)	Outer Inner	ES403R ‡ ES403L ‡	2 2	S204 S204

REAR SUSPENSION

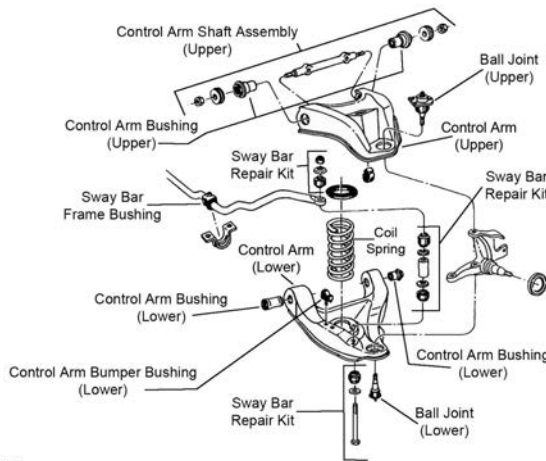


R310

Year	Model/Application	Part	P/C Qty	Figure	
Control Arm Bushing					
1990-1971		Upper	K6111	2	R310
Control Arm Bushing Set					
1990-1971	(Contains Front And Rear Bushings)	Lower	K6116	2	R310
Leaf Spring Bushing					
1976		Upper Rear	SB298	2	R310

Cutlass-OLDSMOBILE

FRONT SUSPENSION



F188

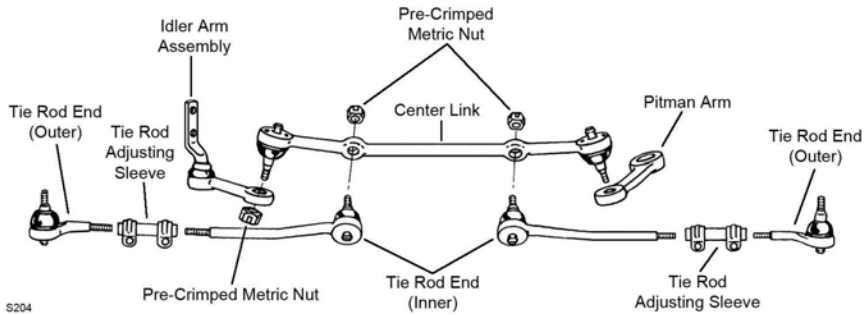
Year	Model/Application	Part	P/C Qty	Figure	
Ball Joint					
1987-1973	(Powdered Metal Gusher Brg. For Better Lubrication) (Powdered Metal Gusher Brg. For Better Lubrication)	Upper Lower	K5208 ‡ K6145T ‡	2 2	F188 F188
1972-1967	(Powdered Metal Gusher Brg. For Better Lubrication) (Powdered Metal Gusher Brg. For Better Lubrication)	Upper Lower	K5108 ‡ K5103 ‡	2 2	F188 F188

OLDSMOBILE-Cutlass (Cont.)

FRONT SUSPENSION (Cont.)

Year	Model/Application	Part	P/C Qty	Figure
Control Arm Bumper Bushing				
1987-1973		Lower	K6606	2 F188
Control Arm Bushing				
1977-1973		Lower Rear Lower Front	K5262 K3113	2 F188 2 F188
Control Arm Bushing Set				
1987-1978	(Contains Front And Rear Bushings)	Upper	K6411 ‡	1 F188
	(Contains Front And Rear Bushings, Standard Design)	Upper	K6176	2 F188
	(Contains Front And Rear Bushings)	Lower	K6421 ‡	2 F188
	(Contains Front And Rear Bushings, Standard Design)	Lower	K6177	2 F188
1977-1974		Upper	K6144	2 F188
1977-1973	(Contains Front And Rear Bushings)	Lower	K6109	2 F188
1973	(Contains Front And Rear Bushings)	Upper	K6108	2 F188
1972-1967	(Contains Front And Rear Bushings)	Upper	K5196	2 F188
	(Contains Front And Rear Bushings)	Lower	K5149	2 F188
1970-1967	(Contains Round Rear Bushing, Contains Front And Rear Bushings)	Lower	K6076	2 F188
Control Arm Shaft Assembly				
1987-1978	(Provides Additional Positive(+) Camber Adjustment, Offset Shaft Kit, Design Allows Ease Of Installation)	Upper	K6218 ‡	2 F188
1977-1974	(Provides Additional Positive(+) Camber Adjustment, Offset Shaft Kit, Design Allows Ease Of Installation)	Upper	K6146 ‡	2 F188
1973	(Provides Additional Positive(+) Camber Adjustment, Offset Shaft Kit, Design Allows Ease Of Installation)	Upper	K6148 ‡	2 F188
1972-1967	(Provides Additional Positive(+) Camber Adjustment, Offset Shaft Kit, Design Allows Ease Of Installation)	Upper	K5250 ‡	2 F188
Sway Bar Bushing				
1987-1978	1" Sway Bar Diameter, Except Tabs On Mounting Clamps	To Frame	K6451	1 F188
	1-1/16" Sway Bar Diameter, Except Tabs On Mounting Clamps	To Frame	K5288	1 F188
	1-1/4" Sway Bar Diameter, Except Tabs On Mounting Clamps, (Split Design For Easier Installation)	To Frame	K6455 ‡	1 F188
	1-1/8" Sway Bar Diameter, Except Tabs On Mounting Clamps	To Frame	K6453	1 F188
	1-3/16" Sway Bar Diameter, Except Tabs On Mounting Clamps	To Frame	K5248	1 F188
1984-1978	1-5/16" Sway Bar Diameter, Except Tabs On Mounting Clamps	To Frame	K6457	1 F188
	36mm Sway Bar Diameter, Except Tabs On Mounting Clamps	To Frame	K6459	1 F188
1980-1978	1" To 1-9/64" Sway Bar Diameter, Tabs On Mounting Clamps	To Frame	K6161	1 F188
	15/16" Sway Bar Diameter, Tabs On Mounting Clamps	To Frame	K5241	1 F188
1978	Salon, Salon Brougham, 1" To 1-9/64" Sway Bar Diameter, Tabs On Mounting Clamps	To Frame	K6161	1 F188
	Salon, Salon Brougham, 1-1/4" Sway Bar Diameter, Except Tabs On Mounting Clamps, (Split Design For Easier Installation)	To Frame	K6455 ‡	1 F188
	Salon, Salon Brougham, 15/16" Sway Bar Diameter, Tabs On Mounting Clamps	To Frame	K5241	1 F188
1977-1976	1" To 1-9/64" Sway Bar Diameter	To Frame	K6161	1 F188
1977-1967	15/16" Sway Bar Diameter	To Frame	K5241	1 F188
1975-1967	1" Sway Bar Diameter	To Frame	K5253	1 F188
Sway Bar Repair Kit				
1987-1978	(OEM Type)		K5254	2 F188
	(Optional Performance)		K8988	2 F188
	7-1/4" Length, (Includes Polyurethane Bushings And Solid Metal Sleeve For Enhanced Performance. Barrel Nut Allows For Easier Installation.)		K700538 ‡	2 F188
1977-1975	(Heavy Duty Design)		K6630 ‡	2 F188
	(Includes Polyurethane Bushings And Solid Metal Sleeve For Enhanced Performance. Barrel Nut Allows For Easier Installation.)		K700532 ‡	2 F188
	(Standard Design)		K5252	2 F188
1974-1967	(Heavy Duty Design)		K6629 ‡	2 F188
	(Includes Polyurethane Bushings And Solid Metal Sleeve For Enhanced Performance. Barrel Nut Allows For Easier Installation.)		K700535 ‡	2 F188
	(Standard Design)		K8266	2 F188

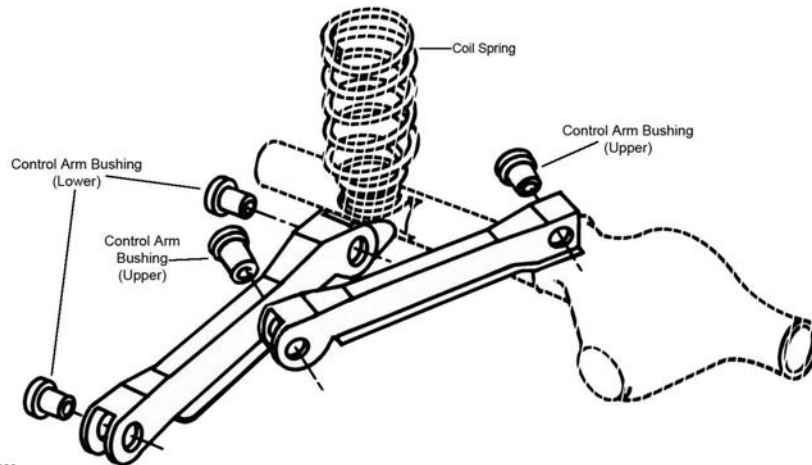
STEERING



S204

Year	Model/Application	Part	P/C Qty	Figure
Center Link				
1987-1978	(Contains New Pre-Crimped Metric Nuts, Powdered Metal Gusher Brg. For Better Lubrication)	DS909 ‡	1	S204
1977-1973	Power Steering, (Powdered Metal Gusher Brg. For Better Lubrication)	DS808 ‡	1	S204
1972-1968	(Powdered Metal Gusher Brg. For Better Lubrication)	DS749 ‡	1	S204
Idler Arm				
1987-1978	(Powdered Metal Gusher Brg. For Better Lubrication)	K6187T ‡	1	S204
1977-1975	(Powdered Metal Gusher Brg. For Better Lubrication)	K6152 ‡	1	S204
1974-1973	(Powdered Metal Gusher Brg. For Better Lubrication)	K6149 ‡	1	S204
1972-1967	(Powdered Metal Gusher Brg. For Better Lubrication)	K5143 ‡	1	S204
Tie Rod Adjusting Sleeve				
1987-1978		ES2032S	2	S204
1977-1971		ES2004S	2	S204
1970-1967		ES2032S	2	S204
Tie Rod End				
1987-1978	(Powdered Metal Gusher Brg. For Better Lubrication)	Outer ES2033RLT ‡	2	S204
	(Powdered Metal Gusher Brg. For Better Lubrication)	Inner ES2034RLT ‡	2	S204
1977-1973	(Powdered Metal Gusher Brg. For Better Lubrication)	Outer ES427R ‡	2	S204
	(Powdered Metal Gusher Brg. For Better Lubrication)	Inner ES2020RLT ‡	2	S204
1972-1971	(Powdered Metal Gusher Brg. For Better Lubrication)	Outer ES406R ‡	2	S204
	(Powdered Metal Gusher Brg. For Better Lubrication)	Inner ES406L ‡	2	S204
1970-1967	(Powdered Metal Gusher Brg. For Better Lubrication)	Outer ES333RL ‡	2	S204
	(Powdered Metal Gusher Brg. For Better Lubrication)	Inner ES681N ‡	2	S204

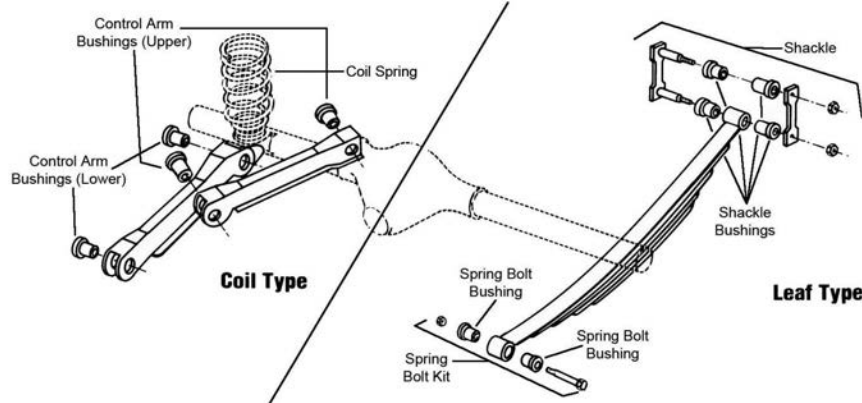
REAR SUSPENSION



R308

OLDSMOBILE-Cutlass (Cont.)

REAR SUSPENSION (Cont.)

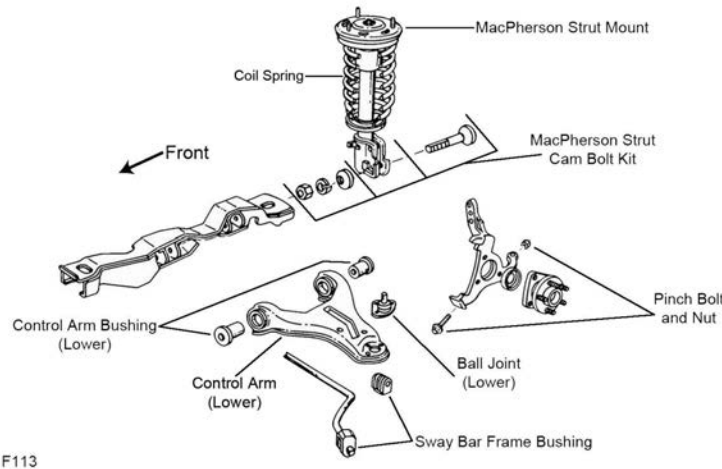


R310

Year	Model/Application	Part	P/C Qty	Figure	
Control Arm Bushing					
1987-1978	Except Hurst Specialty Car, (Contains Front And Rear Bushings)	Upper	K6178	2	R308
	Except Hurst Specialty Car, (Contains Front And Rear Bushings)	Lower	K6178	2	R308
Control Arm Bushing Set					
1977-1967	(Contains Front And Rear Bushings)	Upper	K5161	2	R310
	(Contains Front And Rear Bushings)	Lower	K5161	2	R310

OLDSMOBILE-Cutlass Ciera

FRONT SUSPENSION



F113

Year	Model/Application	Part	P/C Qty	Figure	
Ball Joint					
1990-1982	(Powdered Metal Gusher Brg. For Better Lubrication)	Lower	K5263 ‡	2	F113
Control Arm Bushing					
1990-1982	(Contains Front And Rear Bushings)	Lower	K6271	2	F113
Strut and Spring Assembly					
1990-1985	(Coated For Corrosion Resistance, Strut, Spring & Top Mount)		ST8500 ‡	2	F113
1984	FE3 Or F41 Heavy Duty Suspension, (Coated For Corrosion Resistance, Strut, Spring & Top Mount)		ST8500 ‡	2	F113
Strut Bumper Bellows					
1990-1982	(Contains Bumper)		K90463	2	F113
Strut Mount					
1990-1982	(Contains Bearing)		K6446	2	F113
Strut Spring Seat					
1990-1982	(Contains Isolators)	Upper	K6636	2	F113
Sway Bar Bushing					
1990-1982	22mm Sway Bar Diameter	To Arm	K6270	1	F113
		To Frame	K6267	1	F113