

# DODGE TRUCK–Nitro (Cont.)

## REAR SUSPENSION (Cont.)

Year	Model/Application	Part	P/C Qty	Figure
<b>Track Bar Bushing</b>				
2011-2007	(OE 1 Piece Design)	K7252 ‡	1	R084

# FIAT TRUCK–500X

## FRONT SUSPENSION

Year	Model/Application	Part	P/C Qty	Figure
<b>Sway Bar Link</b>				
2018-2016		K750795	2	
<b>Wheel Hub &amp; Bearing Assembly</b>				
2019-2016		513389	2	

## STEERING

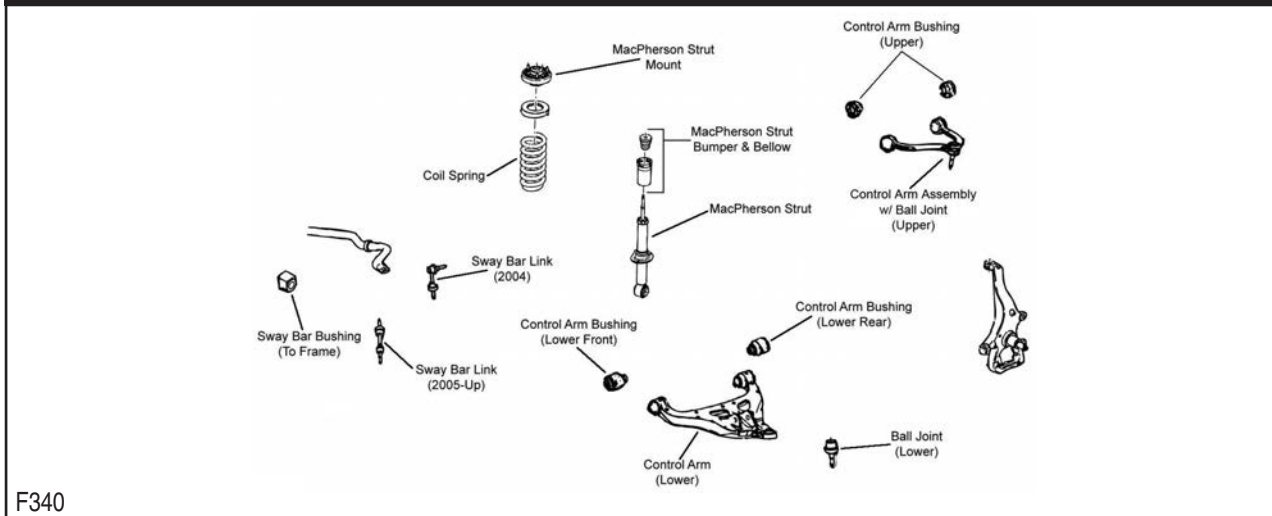
Year	Model/Application	Part	P/C Qty	Figure
<b>Tie Rod End</b>				
2019-2016	Left Outer	ES801215 ‡	1	
	Right Outer	ES801214 ‡	1	

## REAR SUSPENSION

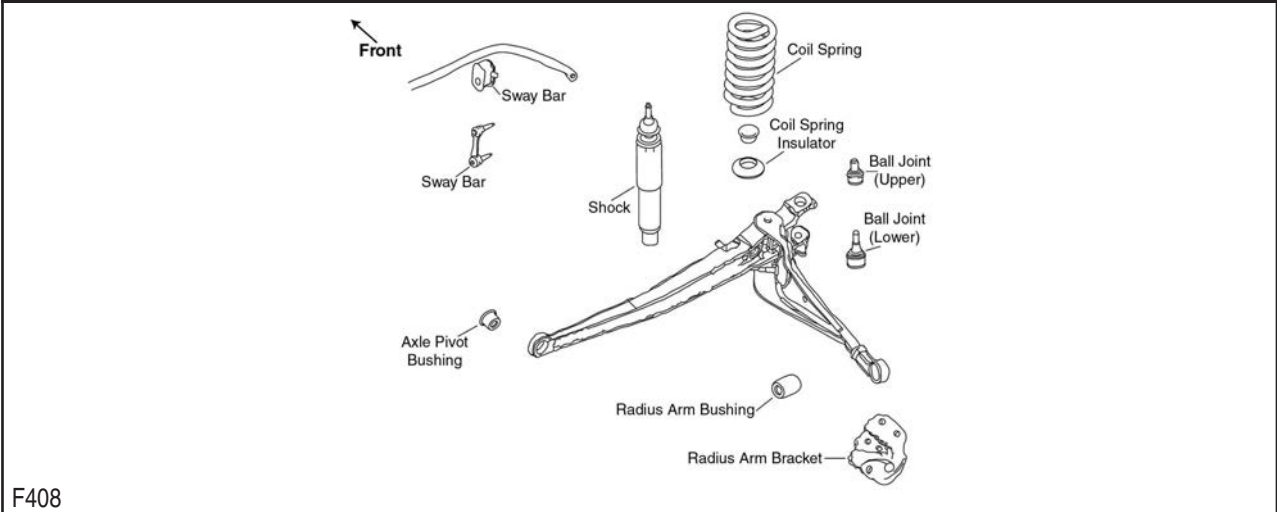
Year	Model/Application	Part	P/C Qty	Figure
<b>Wheel Hub &amp; Bearing Assembly</b>				
2019		513389	2	
2018-2016	All Wheel Drive	513389	2	
	Front Wheel Drive	512568	2	

# FORD TRUCK–100, 150 Series - 1/2 Ton

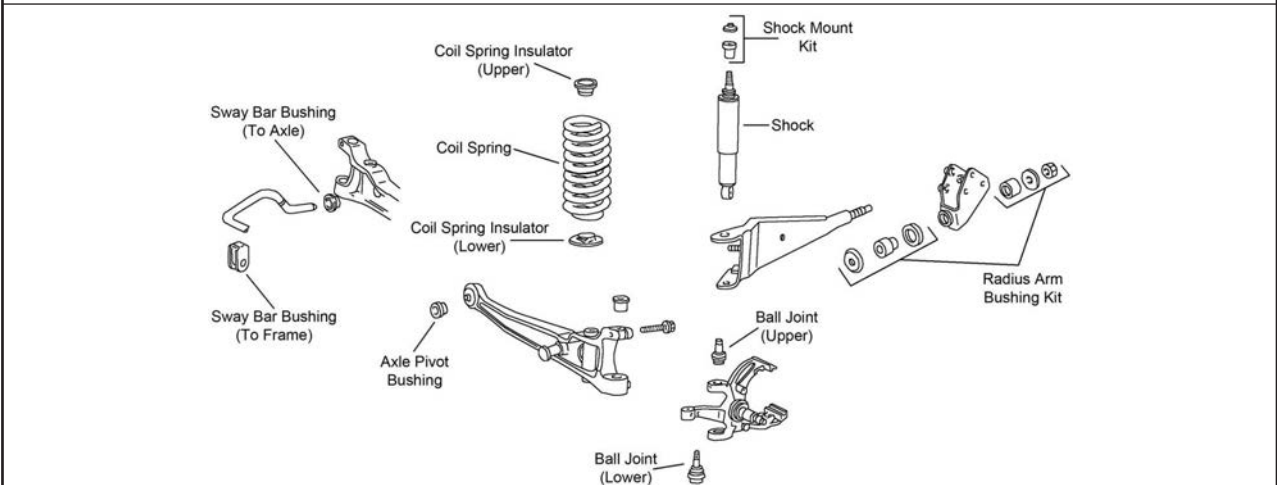
## FRONT SUSPENSION



FRONT SUSPENSION (Cont.)



F408



F457

Year	Model/Application	Part	P/C Qty	Figure
<b>Club Wagon E150</b>				
<b>Ball Joint</b>				
2014-2009	(Powdered Metal Gusher Brg. For Better Lubrication, New Pre-Installed Integral Dust Boot Eases Installation, New And Original Designs Can Be Installed)	Upper	<b>K80028 ‡</b>	2 F408
2014-2008	(Powdered Metal Gusher Brg. For Better Lubrication)	Lower	<b>K80197 ‡</b>	2 F408
2008	(Powdered Metal Gusher Brg. For Better Lubrication, New Pre-Installed Integral Dust Boot Eases Installation, New And Original Designs Can Be Installed)	Upper	<b>K80196 ‡</b>	2 F408
2007	(Powdered Metal Gusher Brg. For Better Lubrication)	Lower	<b>K80197 ‡</b>	2 F457
2007-1997	(Powdered Metal Gusher Brg. For Better Lubrication, New Pre-Installed Integral Dust Boot Eases Installation, New And Original Designs Can Be Installed)	Upper	<b>K80196 ‡</b>	2 F457
<b>Front Axle Pivot Bushing</b>				
2014-2008			<b>K8672</b>	2 F408
2007-1997	5/8" Bolt, (Standard Design)		<b>K8300</b>	2 F457
	5/8" Bolts, (High Quality Elastomer For Durability And Performance)		<b>K8621 ‡</b>	1 F457
	9/16" Bolts		<b>K8672</b>	2 F457
<b>Radius Arm Bushing Kit</b>				
2013-2008			<b>K201344</b>	2 F408
2007-1997	(Improved Design, Contains Thermoplastic Bushing For Heat Resistance, Design Allows Ease Of Installation)		<b>K80005 ‡</b>	1 F457
	(Standard Design)		<b>K8268</b>	1 F457
<b>Sway Bar Bushing</b>				
2014-2008	1" Sway Bar Diameter, (Split Design For Easier Installation)	To Frame	<b>K8690 ‡</b>	1 F408
2008	7/8" Or 23mm Sway Bar Diameter	To Frame	<b>K8689</b>	1 F408
2007-1997	(Contains Polyurethane Bushing)	To Axle	<b>K80222 ‡</b>	1 F457
	(Standard Design)	To Axle	<b>K8645</b>	2 F457
	1" Sway Bar Diameter, (Split Design For Easier Installation)	To Frame	<b>K8690 ‡</b>	1 F457

# FORD TRUCK-100, 150 Series - 1/2 Ton (Cont.)

## FRONT SUSPENSION (Cont.)

Year	Model/Application	Part	P/C Qty	Figure
<b>Club Wagon E150</b>				
<b>Sway Bar Bushing</b>				
2007-1997 (Cont.)	7/8" Or 23mm Sway Bar Diameter	To Frame	K8689	1 F457
<b>Sway Bar Link</b>				
2014-2008	(Powdered Metal Gusher Brg. For Better Lubrication)		K750322 ‡	2 F408
<b>Econoline E150</b>				
<b>Ball Joint</b>				
2014-2009	(Powdered Metal Gusher Brg. For Better Lubrication, New Pre-Installed Integral Dust Boot Eases Installation, New And Original Designs Can Be Installed)	Upper	K80028 ‡	2 F408
2014-2008	(Powdered Metal Gusher Brg. For Better Lubrication)	Lower	K80197 ‡	2 F408
2008	(Powdered Metal Gusher Brg. For Better Lubrication, New Pre-Installed Integral Dust Boot Eases Installation, New And Original Designs Can Be Installed)	Upper	K80196 ‡	2 F408
2007	(Powdered Metal Gusher Brg. For Better Lubrication)	Lower	K80197 ‡	2 F457
2007-1997	(Powdered Metal Gusher Brg. For Better Lubrication, New Pre-Installed Integral Dust Boot Eases Installation, New And Original Designs Can Be Installed)	Upper	K80196 ‡	2 F457
<b>Front Axle Pivot Bushing</b>				
2014-2008			K8672	2 F408
2007-1997	5/8" Bolt, (Standard Design) 5/8" Bolts, (High Quality Elastomer For Durability And Performance) 9/16" Bolts		K8300 K8621 ‡ K8672	2 F457 1 F457 2 F457
<b>Radius Arm Bushing Kit</b>				
2014-2008			K201344	2 F408
2007-1997	(Improved Design, Contains Thermoplastic Bushing For Heat Resistance, Design Allows Ease Of Installation) (Standard Design)		K80005 ‡ K8268	1 F457 1 F457
<b>Sway Bar Bushing</b>				
2014-2008	1" Sway Bar Diameter, (Split Design For Easier Installation)	To Frame	K8690 ‡	1 F408
2008	(Standard Design) 7/8" Or 23mm Sway Bar Diameter	To Axle To Frame	K8645 K8689	2 F408 1 F408
2007-1997	(Contains Polyurethane Bushing) (Standard Design) 1" Sway Bar Diameter, (Split Design For Easier Installation) 7/8" Or 23mm Sway Bar Diameter	To Axle To Axle To Frame To Frame	K80222 ‡ K8645 K8690 ‡ K8689	1 F457 2 F457 1 F457 1 F457
<b>Sway Bar Link</b>				
2014-2008	(Powdered Metal Gusher Brg. For Better Lubrication)		K750322 ‡	2 F408
<b>F150</b>				
<b>Ball Joint</b>				
2017-2015	(Greaseable Socket Reduces Corrosion/Wear)	Upper Lower	K500359 K500318 ‡	2 2
2014	FX2, FX4, King Ranch, Lariat, Limited, Platinum, STX, Tremor, XL, XLT, (Powdered Metal Gusher Brg. For Better Lubrication, New Pre-Installed Integral Dust Boot Eases Installation, New And Original Designs Can Be Installed)	Lower	K500008 ‡	2 F340
2014-2010	SVT Raptor, (New Pre-Installed Integral Dust Boot Eases Installation, New And Original Designs Can Be Installed)	Lower	K500193 ‡	2 F340
2013	FX2, FX4, Harley Davidson, King Ranch, Lariat, Limited, Platinum, STX, XL, XLT, (Powdered Metal Gusher Brg. For Better Lubrication, New Pre-Installed Integral Dust Boot Eases Installation, New And Original Designs Can Be Installed)	Lower	K500008 ‡	2 F340
2012-2011	FX2, FX4, Harley Davidson, King Ranch, Lariat, Platinum, STX, XL, XLT, (Powdered Metal Gusher Brg. For Better Lubrication, New Pre-Installed Integral Dust Boot Eases Installation, New And Original Designs Can Be Installed)	Lower	K500008 ‡	2 F340
2010	FX4, King Ranch, Lariat, Platinum, STX, XL, XLT, (Powdered Metal Gusher Brg. For Better Lubrication, New Pre-Installed Integral Dust Boot Eases Installation, New And Original Designs Can Be Installed)	Lower	K500008 ‡	2 F340
2009	(Powdered Metal Gusher Brg. For Better Lubrication, New Pre-Installed Integral Dust Boot Eases Installation, New And Original Designs Can Be Installed)	Lower	K500008 ‡	2 F340
2008-2004	(Powdered Metal Gusher Brg. For Better Lubrication, New Pre-Installed Integral Dust Boot Eases Installation, New And Original Designs Can Be Installed)	Lower	K80149 ‡	2 F340
<b>Control Arm Bushing</b>				
2015		Lower Rear	K201189	2 F340
2014	FX2, FX4, King Ranch, Lariat, Limited, Platinum, STX, Tremor, XL, XLT FX2, FX4, King Ranch, Lariat, Limited, Platinum, STX, Tremor, XL, XLT	Lower Rear Lower Front	K201189 K201188	2 F340 2 F340
2013	FX2, FX4, Harley Davidson, King Ranch, Lariat, Limited, Platinum, STX, XL, XLT FX2, FX4, Harley Davidson, King Ranch, Lariat, Limited, Platinum, STX, XL, XLT	Lower Rear Lower Front	K201189 K201188	2 F340 2 F340

**(Cont.) 100, 150 Series - 1/2 Ton-FORD TRUCK****FRONT SUSPENSION (Cont.)**

Year	Model/Application	Part	P/C Qty	Figure
<b>F150</b>				
<b>Control Arm Bushing</b>				
2012	FX2, FX4, Harley Davidson, King Ranch, Lariat, Platinum, STX, XL, XLT, (High Quality Elastomer For Durability And Performance)	Upper Front	<b>K200353 ‡</b>	2 F340
2012-2011	FX2, FX4, Harley Davidson, King Ranch, Lariat, Platinum, STX, XL, XLT FX2, FX4, Harley Davidson, King Ranch, Lariat, Platinum, STX, XL, XLT	Lower Rear	<b>K201189</b>	2 F340
		Lower Front	<b>K201188</b>	2 F340
2011	FX2, FX4, King Ranch, Lariat, Platinum, STX, XL, XLT, (High Quality Elastomer For Durability And Performance)	Upper Front	<b>K200353 ‡</b>	2 F340
2010	FX4, King Ranch, Lariat, Platinum, STX, XL, XLT, (High Quality Elastomer For Durability And Performance) FX4, King Ranch, Lariat, Platinum, STX, XL, XLT FX4, King Ranch, Lariat, Platinum, STX, XL, XLT	Upper Front	<b>K200353 ‡</b>	2 F340
		Lower Rear	<b>K201189</b>	2 F340
		Lower Front	<b>K201188</b>	2 F340
2009	(High Quality Elastomer For Durability And Performance)	Upper Front	<b>K200353 ‡</b>	2 F340
		Lower Rear	<b>K201189</b>	2 F340
		Lower Front	<b>K201188</b>	2 F340
2008-2005	(Contains Front And Rear Bushings)	Upper	<b>K80417</b>	2 F340
<b>Control Arm Bushing Set</b>				
2010-2009	(Contains Front And Rear Bushings)	Lower	<b>K200366 ‡</b>	2 F340
2008-2004	(Contains Front And Rear Bushings)	Lower	<b>K200365 ‡</b>	2 F340
<b>Control Arm with Ball Joint</b>				
2014	FX2, FX4, King Ranch, Lariat, Limited, Platinum, STX, Tremor, XL, XLT, (Contains Bushing, Powdered Metal Gusher Brg. For Better Lubrication) FX2, FX4, King Ranch, Lariat, Limited, Platinum, STX, Tremor, XL, XLT, (R-Series) FX2, FX4, King Ranch, Lariat, Limited, Platinum, STX, Tremor, XL, XLT, (Contains Bushing, Powdered Metal Gusher Brg. For Better Lubrication) FX2, FX4, King Ranch, Lariat, Limited, Platinum, STX, Tremor, XL, XLT, (R-Series) FX2, FX4, King Ranch, Lariat, Limited, Platinum, STX, Tremor, XL, XLT, (R-Series) FX2, FX4, King Ranch, Lariat, Limited, Platinum, STX, Tremor, XL, XLT, (R-Series)	Left Upper	<b>CK80306 ‡</b>	1 F340
		Left Upper	<b>RK80306</b>	1 F340
		Right Upper	<b>CK80308 ‡</b>	1 F340
		Right Upper	<b>RK80308</b>	1 F340
		Left Lower	<b>RK622962</b>	1 F340
		Right Lower	<b>RK622961</b>	1 F340
		2014-2010	SVT Raptor, (R-Series) SVT Raptor, (R-Series)	Left Upper
Right Upper	<b>RK622933</b>			1 F340
2013	FX2, FX4, Harley Davidson, King Ranch, Lariat, Limited, Platinum, STX, XL, XLT, (Contains Bushing, Powdered Metal Gusher Brg. For Better Lubrication) FX2, FX4, Harley Davidson, King Ranch, Lariat, Limited, Platinum, STX, XL, XLT, (R-Series) FX2, FX4, Harley Davidson, King Ranch, Lariat, Limited, Platinum, STX, XL, XLT, (Contains Bushing, Powdered Metal Gusher Brg. For Better Lubrication) FX2, FX4, Harley Davidson, King Ranch, Lariat, Limited, Platinum, STX, XL, XLT, (R-Series) FX2, FX4, Harley Davidson, King Ranch, Lariat, Limited, Platinum, STX, XL, XLT, (R-Series) FX2, Harley Davidson, King Ranch, Lariat, Limited, Platinum, STX, XL, XLT, (R-Series)	Left Upper	<b>CK80306 ‡</b>	1 F340
		Left Upper	<b>RK80306</b>	1 F340
		Right Upper	<b>CK80308 ‡</b>	1 F340
		Right Upper	<b>RK80308</b>	1 F340
		Right Lower	<b>RK621266</b>	1 F340
		Left Lower	<b>RK621267</b>	1 F340
2012-2011	FX2, FX4, Harley Davidson, King Ranch, Lariat, Platinum, STX, XL, XLT, (Contains Bushing, Powdered Metal Gusher Brg. For Better Lubrication) FX2, FX4, Harley Davidson, King Ranch, Lariat, Platinum, STX, XL, XLT, (R-Series) FX2, FX4, Harley Davidson, King Ranch, Lariat, Platinum, STX, XL, XLT, (Contains Bushing, Powdered Metal Gusher Brg. For Better Lubrication) FX2, FX4, Harley Davidson, King Ranch, Lariat, Platinum, STX, XL, XLT, (R-Series) FX2, FX4, Harley Davidson, King Ranch, Lariat, Platinum, STX, XL, XLT, (R-Series) FX2, FX4, Harley Davidson, King Ranch, Lariat, Platinum, STX, XL, XLT, (R-Series)	Left Upper	<b>CK80306 ‡</b>	1 F340
		Left Upper	<b>RK80306</b>	1 F340
		Right Upper	<b>CK80308 ‡</b>	1 F340
		Right Upper	<b>RK80308</b>	1 F340
		Left Lower	<b>RK621267</b>	1 F340
		Right Lower	<b>RK621266</b>	1 F340
2010	FX4, King Ranch, Lariat, Platinum, STX, XL, XLT, (Contains Bushing, Powdered Metal Gusher Brg. For Better Lubrication) FX4, King Ranch, Lariat, Platinum, STX, XL, XLT, (R-Series) FX4, King Ranch, Lariat, Platinum, STX, XL, XLT, (Contains Bushing, Powdered Metal Gusher Brg. For Better Lubrication) FX4, King Ranch, Lariat, Platinum, STX, XL, XLT, (R-Series) FX4, King Ranch, Lariat, Platinum, STX, XL, XLT, (R-Series) FX4, King Ranch, Lariat, Platinum, STX, XL, XLT, (R-Series)	Left Upper	<b>CK80306 ‡</b>	1 F340
		Left Upper	<b>RK80306</b>	1 F340
		Right Upper	<b>CK80308 ‡</b>	1 F340
		Right Upper	<b>RK80308</b>	1 F340
		Left Lower	<b>RK621267</b>	1 F340
		Right Lower	<b>RK621266</b>	1 F340
2009	(R-Series) (R-Series)	Left Lower	<b>RK621267</b>	1 F340
		Right Lower	<b>RK621266</b>	1 F340
2009-2005	(Contains Bushing, Powdered Metal Gusher Brg. For Better Lubrication) (R-Series) (Contains Bushing, Powdered Metal Gusher Brg. For Better Lubrication) (R-Series)	Left Upper	<b>CK80306 ‡</b>	1 F340
		Left Upper	<b>RK80306</b>	1 F340
		Right Upper	<b>CK80308 ‡</b>	1 F340
		Right Upper	<b>RK80308</b>	1 F340
2008-2005	6 Stud Rotors, (Contains Bushing, Powdered Metal Gusher Brg. For Better Lubrication, New Pre-Installed Integral Dust Boot Eases Installation, New And Original Designs Can Be Installed) 6 Stud Rotors, (R-Series) 6 Stud Rotors, (Contains Bushing, Powdered Metal Gusher Brg. For Better Lubrication, New Pre-Installed Integral Dust Boot Eases Installation, New And Original Designs Can Be Installed) 6 Stud Rotors, (R-Series) 7 Stud Rotors, (R-Series) 7 Stud Rotors, (R-Series)	Left Lower	<b>CK80404 ‡</b>	1 F340
		Left Lower	<b>RK80404</b>	1 F340
		Right Lower	<b>CK80402 ‡</b>	1 F340
		Right Lower	<b>RK80402</b>	1 F340
		Left Lower	<b>RK80403</b>	1 F340
		Right Lower	<b>RK80401</b>	1 F340

# FORD TRUCK-100, 150 Series - 1/2 Ton (Cont.)

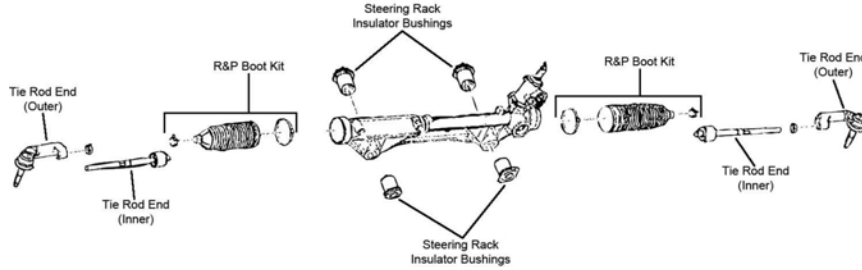
## FRONT SUSPENSION (Cont.)

Year	Model/Application	Part	P/C Qty	Figure
<b>F150</b>				
<b>Strut and Spring Assembly</b>				
2013	FX4, King Ranch, Lariat, Limited, Platinum, STX, XL, XLT, Four Wheel Drive (4X4)	ST8600	2	F340
2013-2009	Two Wheel Drive (4x2)	ST8604	2	F340
2012-2009	FX4, King Ranch, Lariat, Platinum, STX, XL, XLT, Four Wheel Drive (4X4), 8200 Lb GVW FX4, King Ranch, Lariat, Platinum, STX, XL, XLT, Four Wheel Drive (4X4), Except 8200 Lb GVW, (Coated For Corrosion Resistance, Strut, Spring & Top Mount)	ST8600 ST8568 ‡	2 2	F340 F340
2008-2004	Four Wheel Drive (4X4), (Coated For Corrosion Resistance, Strut, Spring & Top Mount) Two Wheel Drive (4x2), (Strut, Spring & Top Mount)	ST8568 ‡ ST8582	2 2	F340 F340
<b>Strut Bumper Bellows</b>				
2016-2015		K150278	2	
2014	FX2, FX4, King Ranch, Lariat, Limited, Platinum, STX, Tremor, XL, XLT	K150278	2	F340
2013	FX2, FX4, Harley Davidson, King Ranch, Lariat, Limited, Platinum, STX, XL, XLT	K150278	2	F340
2012-2011	FX2, FX4, Harley Davidson, King Ranch, Lariat, Platinum, STX, XL, XLT	K150278	2	F340
2010	FX4, King Ranch, Lariat, Platinum, STX, XL, XLT	K150278	2	F340
2009		K150278	2	F340
2008-2004	(Original Equipment Type, Contains Bumper)	K160035	2	F340
2007-2004	Universal Type, (Replacement Type, Contains Bumper)	K90460	2	F340
<b>Strut Mount</b>				
2016-2015	(Contains Upper Spring Seat Insulator)	K160331	2	
2014	FX2, FX4, King Ranch, Lariat, Limited, Platinum, STX, Tremor, XL, XLT, (Contains Upper Spring Seat Insulator)	K160331	2	F340
2014-2010	SVT Raptor, (Contains Upper Spring Seat Insulator)	K160332	2	F340
2013	FX2, FX4, Harley Davidson, King Ranch, Lariat, Limited, Platinum, STX, XL, XLT, (Contains Upper Spring Seat Insulator)	K160331	2	F340
2012-2011	FX2, FX4, Harley Davidson, King Ranch, Lariat, Platinum, STX, XL, XLT, (Contains Upper Spring Seat Insulator)	K160331	2	F340
2010	FX4, King Ranch, Lariat, Platinum, STX, XL, XLT, (Contains Upper Spring Seat Insulator)	K160331	2	F340
2009	(Contains Upper Spring Seat Insulator)	K160331	2	F340
2008-2004	Off-Road Suspension, (Bearing Not Included, Contains Dust Tube, Bumper, And Spring Insulator) Standard Suspension, (Bearing Not Included, Contains Dust Tube, Bumper, And Spring Insulator)	K80219 K80218	2 2	F340 F340
<b>Sway Bar Bushing</b>				
2017	King Ranch, Lariat, Limited, Platinum, SSV, XL, XLT	To Frame K201486	1	
2016	King Ranch, Lariat, Limited, Platinum, XL, XLT	To Frame K201486	1	
2015		To Frame K201486	1	
2014-2009	(Split Design For Easier Installation)	To Frame K200846 ‡	1	F340
2008-2004	(Reduces Noise)	To Frame K200331 ‡	1	F340
<b>Sway Bar Link</b>				
2017	King Ranch, Lariat, Limited, Platinum, SSV, XL, XLT, Four Wheel Drive (4X4), (Full Ball Stud Provides 360 Degrees Of Smooth Rotation)	K750362 ‡	2	
2017-2016	King Ranch, Lariat, Limited, Platinum, XL, XLT, Two Wheel Drive (4x2), (Powdered Metal Gusher Brg. For Better Lubrication)	K750074 ‡	2	
2016	King Ranch, Lariat, Limited, Platinum, XL, XLT, Four Wheel Drive (4X4), (Full Ball Stud Provides 360 Degrees Of Smooth Rotation)	K750362 ‡	2	
2015	King Ranch, Lariat, Platinum, XL, XLT, Four Wheel Drive (4X4), (Full Ball Stud Provides 360 Degrees Of Smooth Rotation) King Ranch, Lariat, Platinum, XL, XLT, Two Wheel Drive (4x2), (Powdered Metal Gusher Brg. For Better Lubrication)	K750362 ‡ K750074 ‡	2 2	
2014	FX4, King Ranch, Lariat, Limited, Platinum, STX, Tremor, XL, XLT, Four Wheel Drive (4X4), (Full Ball Stud Provides 360 Degrees Of Smooth Rotation) Limited, All Wheel Drive, (Full Ball Stud Provides 360 Degrees Of Smooth Rotation)	K750362 ‡ K750362 ‡	2 2	F340 F340
2014-2010	SVT Raptor, Four Wheel Drive (4X4), (Greaseable Socket Reduces Corrosion/Wear)	K750511 ‡	2	F340
2014-2009	Two Wheel Drive (4x2), (Powdered Metal Gusher Brg. For Better Lubrication)	K750074 ‡	2	F340
2013	FX4, King Ranch, Lariat, Limited, Platinum, STX, XL, XLT, Four Wheel Drive (4X4), (Full Ball Stud Provides 360 Degrees Of Smooth Rotation) Harley Davidson, Limited, All Wheel Drive, (Full Ball Stud Provides 360 Degrees Of Smooth Rotation)	K750362 ‡ K750362 ‡	2 2	F340 F340
2012-2011	Harley Davidson, All Wheel Drive, (Full Ball Stud Provides 360 Degrees Of Smooth Rotation)	K750362 ‡	2	F340
2012-2010	FX4, King Ranch, Lariat, Platinum, STX, XL, XLT, Four Wheel Drive (4X4), (Full Ball Stud Provides 360 Degrees Of Smooth Rotation)	K750362 ‡	2	F340
2009	Four Wheel Drive (4X4), (Full Ball Stud Provides 360 Degrees Of Smooth Rotation)	K750362 ‡	2	F340
2008-2006	Four Wheel Drive (4X4), (Powdered Metal Gusher Brg. For Better Lubrication) Two Wheel Drive (4x2), (Powdered Metal Gusher Brg. For Better Lubrication)	K80338 ‡ K80337 ‡	2 2	F340 F340

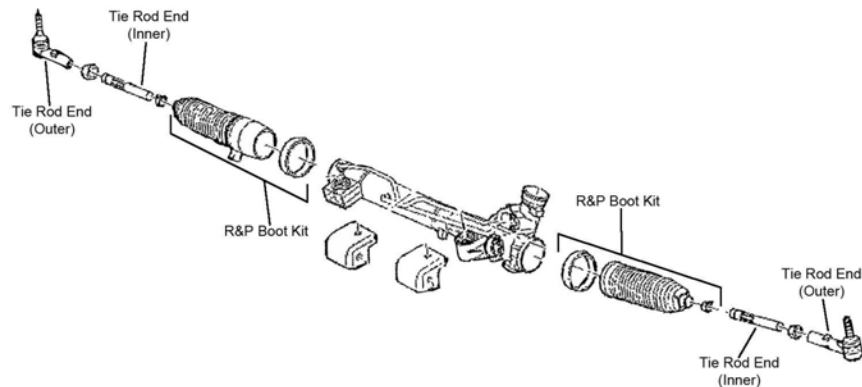
**FRONT SUSPENSION (Cont.)**

Year	Model/Application	Part	P/C Qty	Figure
<b>F150</b>				
<b>Wheel Hub &amp; Bearing Assembly</b>				
2017-2015	Four Wheel Drive (4X4) Two Wheel Drive (4x2)	515169 515170	2 2	
2014	All Wheel Drive, 6 Stud Hub, (38" ABS Cord) All Wheel Drive, 7 Stud Hub	515142 513326	2 2	
2014-2011	All Wheel Drive, 6 Stud Hub, (40.75" ABS Cord) Four Wheel Drive (4X4), 6 Stud Hub, (38" ABS Cord) Four Wheel Drive (4X4), 6 Stud Hub, (40.75" ABS Cord) Four Wheel Drive (4X4), 7 Stud Hub Two Wheel Drive (4x2), 6 Stud Hub	515166 515142 515166 513326 515143	2 2 2 2 2	
2012-2011	All Wheel Drive, 6 Stud Hub, (38" ABS Cord) All Wheel Drive, 7 Stud Hub	515142 513326	2 2	
2010	FX4, King Ranch, Lariat, Platinum, STX, XL, XLT, Four Wheel Drive (4X4), 6 Stud Hub FX4, King Ranch, Lariat, Platinum, STX, XL, XLT, Four Wheel Drive (4X4), 7 Stud Hub SVT Raptor, Four Wheel Drive (4X4)	515119 515118 515112	2 2 2	
2010-2009	Two Wheel Drive (4x2), 6 Stud Hub Two Wheel Drive (4x2), 7 Stud Hub	515117 515118	2 2	
2009	Four Wheel Drive (4X4), 6 Stud Hub Four Wheel Drive (4X4), 7 Stud Hub	515119 515118	2 2	
2008-2006	All Wheel Drive, 6 Stud Hub All Wheel Drive, 7 Stud Hub Four Wheel Drive (4X4), 6 Stud Hub Four Wheel Drive (4X4), 7 Stud Hub	515079 515080 515079 515080	2 2 2 2	
<b>Transit 150</b>				
<b>Ball Joint</b>				
2017-2015		Lower K500339	2	
<b>Control Arm Bushing</b>				
2017-2015		Lower Front Inner K201761	2	
<b>Sway Bar Link</b>				
2016-2015		K750813	2	
<b>Wheel Hub &amp; Bearing Assembly</b>				
2017-2015		515153	2	

**STEERING**



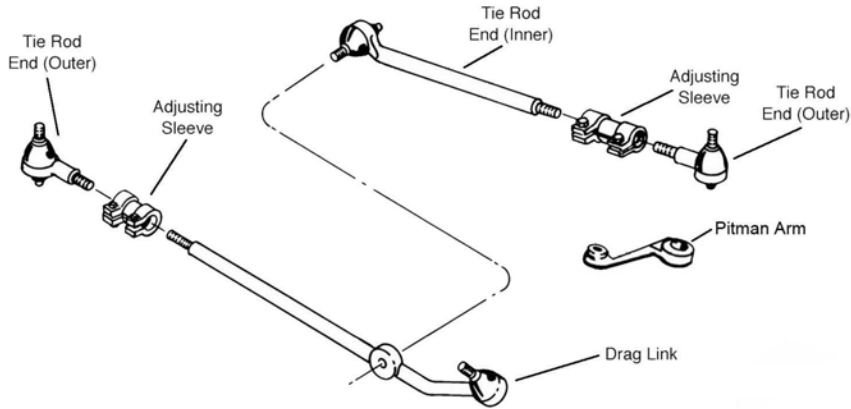
S120



S121

# FORD TRUCK-100, 150 Series - 1/2 Ton (Cont.)

## STEERING (Cont.)



S286

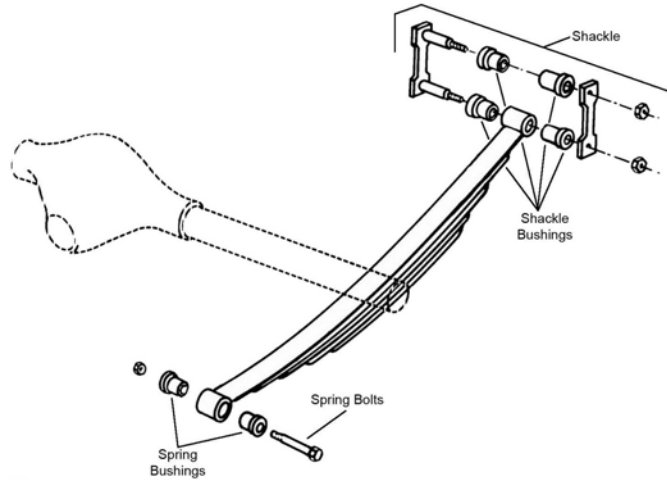
Year	Model/Application	Part	P/C Qty	Figure	
<b>Club Wagon E150</b>					
<b>Drag Link Assembly</b>					
2014-2007	(Powdered Metal Gusher Brg. For Better Lubrication)	DS300003 ‡	1	S286	
<b>Pitman Arm</b>					
2014-2007	36 Teeth, (MOOG Engineered Steel Composition Enhances Strength)	K80785 ‡	1	S286	
<b>Tie Rod Adjusting Sleeve</b>					
2014-2007	1" - 18 Threads, 5.5" Length, (Coated For Corrosion Resistance)	ES2012S ‡	2	S286	
<b>Tie Rod End</b>					
2014-2008	(Powdered Metal Gusher Brg. For Better Lubrication)	Left Inner	ES800481 ‡	1	S286
2014-2007	(Powdered Metal Gusher Brg. For Better Lubrication)	Left Outer	ES800402 ‡	1	S286
	(Powdered Metal Gusher Brg. For Better Lubrication)	Right Outer	ES800401 ‡	1	S286
	(Powdered Metal Gusher Brg. For Better Lubrication)	Right Inner	DS300003 ‡	1	S286
2007	(Powdered Metal Gusher Brg. For Better Lubrication)	Left Inner	ES800435 ‡	1	S286
<b>Econoline E150</b>					
<b>Drag Link Assembly</b>					
2014-2007	(Powdered Metal Gusher Brg. For Better Lubrication)	DS300003 ‡	1	S286	
<b>Pitman Arm</b>					
2014-2007	36 Teeth, (MOOG Engineered Steel Composition Enhances Strength)	K80785 ‡	1	S286	
<b>Tie Rod Adjusting Sleeve</b>					
2014-2007	1" - 18 Threads, 5.5" Length, (Coated For Corrosion Resistance)	ES2012S ‡	2	S286	
<b>Tie Rod End</b>					
2014-2008	(Powdered Metal Gusher Brg. For Better Lubrication)	Left Inner	ES800481 ‡	1	S286
2014-2007	(Powdered Metal Gusher Brg. For Better Lubrication)	Left Outer	ES800402 ‡	1	S286
	(Powdered Metal Gusher Brg. For Better Lubrication)	Right Outer	ES800401 ‡	1	S286
	(Powdered Metal Gusher Brg. For Better Lubrication)	Right Inner	DS300003 ‡	1	S286
2007	(Powdered Metal Gusher Brg. For Better Lubrication)	Left Inner	ES800435 ‡	1	S286
<b>F150</b>					
<b>Rack &amp; Pinion Boot Kit</b>					
2010-2009		K150291	2	S120	
2008-2005		Left	K150283	1	S121
<b>Tie Rod End</b>					
2017	King Ranch, Lariat, Limited, Platinum, SSV, XL, XLT, (Powdered Metal Gusher Brg. For Better Lubrication)	Left Outer	ES800515 ‡	1	S120
		Right Outer	ES800514 ‡	1	S120
2016-2015	(Powdered Metal Gusher Brg. For Better Lubrication)	Left Outer	ES800515 ‡	1	S120
		Right Outer	ES800514 ‡	1	S120
2014	FX2, FX4, King Ranch, Lariat, Limited, Platinum, STX, Tremor, XL, XLT, (Powdered Metal Gusher Brg. For Better Lubrication)	Left Outer	ES800515 ‡	1	S120
		Right Outer	ES800514 ‡	1	S120
2014-2009	(Powdered Metal Gusher Brg. For Better Lubrication)	Inner	EV800457 ‡	2	S120
2013	FX2, FX4, Harley Davidson, King Ranch, Lariat, Limited, Platinum, STX, XL, XLT, (Powdered Metal Gusher Brg. For Better Lubrication)	Left Outer	ES800515 ‡	1	S120
		Right Outer	ES800514 ‡	1	S120

(Cont.) 100, 150 Series - 1/2 Ton-FORD TRUCK

STEERING (Cont.)

Year	Model/Application	Part	P/C Qty	Figure
<b>F150</b>				
<b>Tie Rod End</b>				
2012-2011	FX2, FX4, Harley Davidson, King Ranch, Lariat, Platinum, STX, XL, XLT, (Powdered Metal Gusher Brg. For Better Lubrication)	Left Outer ES800515 ‡	1	S120
	FX2, FX4, Harley Davidson, King Ranch, Lariat, Platinum, STX, XL, XLT, (Powdered Metal Gusher Brg. For Better Lubrication)	Right Outer ES800514 ‡	1	S120
2010	FX4, King Ranch, Lariat, Platinum, STX, XL, XLT, (Powdered Metal Gusher Brg. For Better Lubrication)	Left Outer ES800515 ‡	1	S120
	FX4, King Ranch, Lariat, Platinum, STX, XL, XLT, (Powdered Metal Gusher Brg. For Better Lubrication)	Right Outer ES800514 ‡	1	S120
2009	(Powdered Metal Gusher Brg. For Better Lubrication)	Left Outer ES800515 ‡	1	S120
	(Powdered Metal Gusher Brg. For Better Lubrication)	Right Outer ES800514 ‡	1	S120
2008-2007	All Wheel Drive, (Powdered Metal Gusher Brg. For Better Lubrication)	Inner EV800369 ‡	2	S121
	Four Wheel Drive (4X4), (Powdered Metal Gusher Brg. For Better Lubrication)	Inner EV800369 ‡	2	S121
2008-2005	(Powdered Metal Gusher Brg. For Better Lubrication)	Outer ES3691 ‡	2	S121
	Two Wheel Drive (4x2), (Powdered Metal Gusher Brg. For Better Lubrication)	Inner EV800368 ‡	2	S121
<b>Transit 150</b>				
<b>Tie Rod End</b>				
2017-2015		Outer ES801219	2	
		Inner EV801332 ‡	2	

REAR SUSPENSION



R309

Year	Model/Application	Part	P/C Qty	Figure
<b>Club Wagon E150</b>				
<b>Leaf Spring Bushing</b>				
2014-2008		Front K201376	2	
2007-2005		Front K201375	2	
<b>Leaf Spring Shackle</b>				
2007-1997	(Contains Shackle, Nuts, Bolts & Bushing)	Rear K150409	2	R309
<b>Leaf Spring Shackle Bracket</b>				
2007-1997		Rear K150414	2	R309
<b>Sway Bar Bushing</b>				
2014-2005	(Improved Design Bushing With Premium Rubber Material And Synthetic Fabric Lining Lasts Longer And Eliminates Noise)	To Frame K201624 ‡	1	
	(Standard Design)	To Frame K8655	1	
<b>Sway Bar Link</b>				
2013-2005	12.9" Length, (Link And Bushing Kit, Improves Upon OE Design)	K80015 ‡	2	
<b>Econoline E150</b>				
<b>Leaf Spring Bushing</b>				
2014-2008		Front K201376	2	
2007-2005		Front K201375	2	
<b>Leaf Spring Shackle</b>				
2007-1997	(Contains Shackle, Nuts, Bolts & Bushing)	Rear K150409	2	R309



# FORD TRUCK-100, 150 Series - 1/2 Ton (Cont.)

## REAR SUSPENSION (Cont.)

Year	Model/Application	Part	P/C Qty	Figure
<b>Econoline E150</b>				
<b>Leaf Spring Shackle Bracket</b>				
2007-1997		Rear K150414	2	R309
<b>Sway Bar Bushing</b>				
2014-2005	(Improved Design Bushing With Premium Rubber Material And Synthetic Fabric Lining Lasts Longer And Eliminates Noise) (Standard Design)	To Frame To Frame	1 1	
<b>Sway Bar Link</b>				
2014-2005	12.9" Length, (Link And Bushing Kit, Improves Upon OE Design)	K80015 ‡	2	
<b>F150</b>				
<b>Leaf Spring Bushing</b>				
2014-2005	(High Quality Elastomer For Durability And Performance)	Front K200107 ‡	2	R309
2014-2004		Front K201765	2	R309
<b>Leaf Spring Shackle Bushing</b>				
2015-2009		Lower K201182	2	R309
2014-2005	(High Quality Elastomer For Durability And Performance)	Rear K200108 ‡	4	R309

# FORD TRUCK-200, 250 Series - 3/4 Ton

## FRONT SUSPENSION

