

# CADILLAC TRUCK-SRX (Cont.)

## REAR SUSPENSION (Cont.)

Year	Model/Application	Part	P/C Qty	Figure
<b>Wheel Hub &amp; Bearing Assembly</b>				
2009-2004		512243	2	

# CADILLAC TRUCK-XT5

## FRONT SUSPENSION

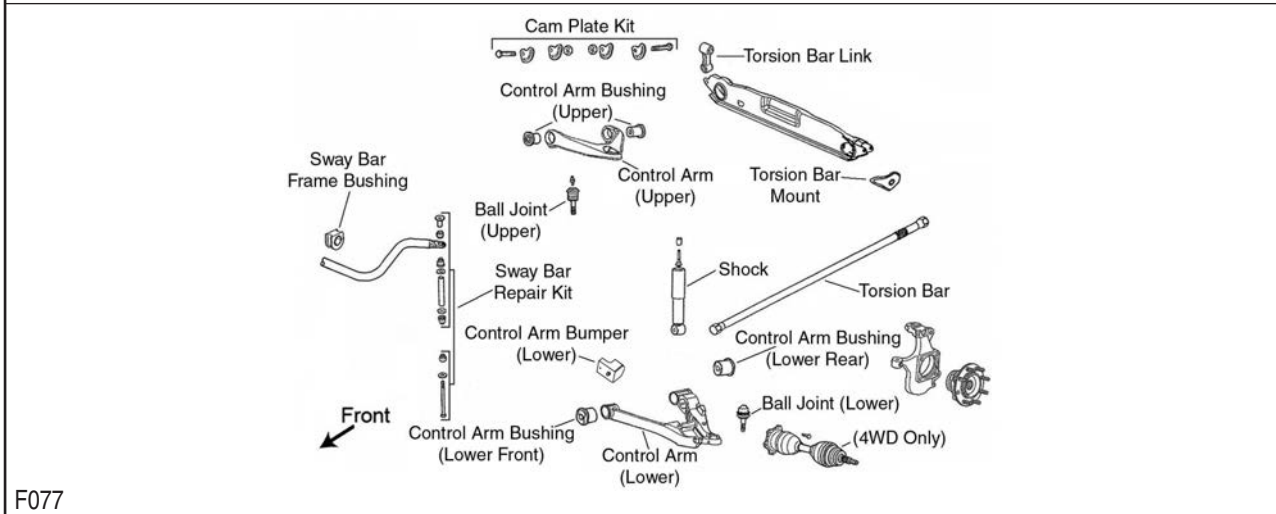
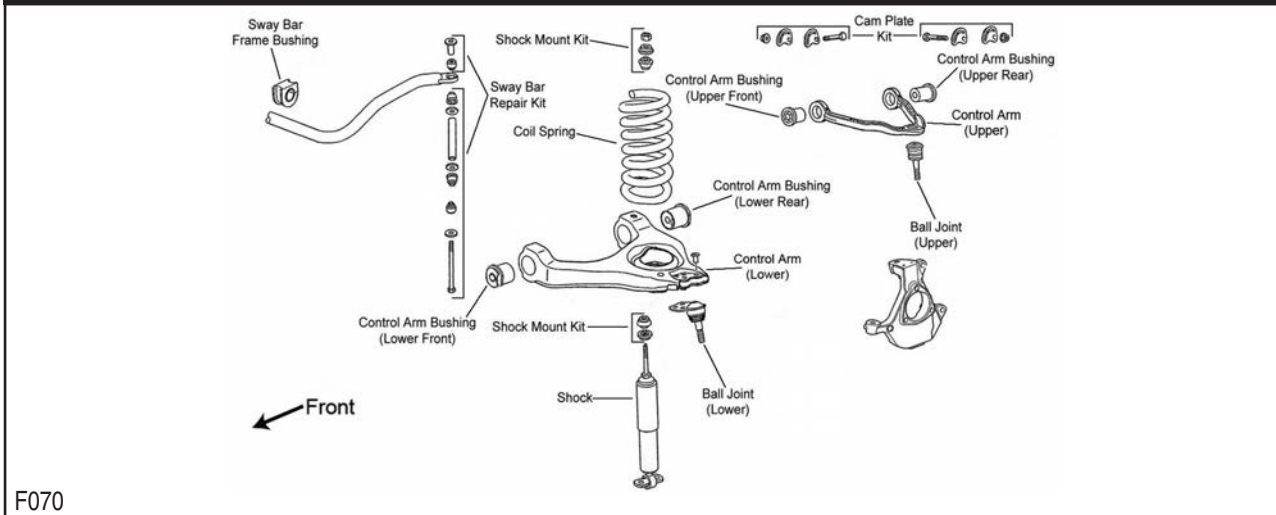
Year	Model/Application	Part	P/C Qty	Figure
<b>Wheel Hub &amp; Bearing Assembly</b>				
2017		512593	2	

## REAR SUSPENSION

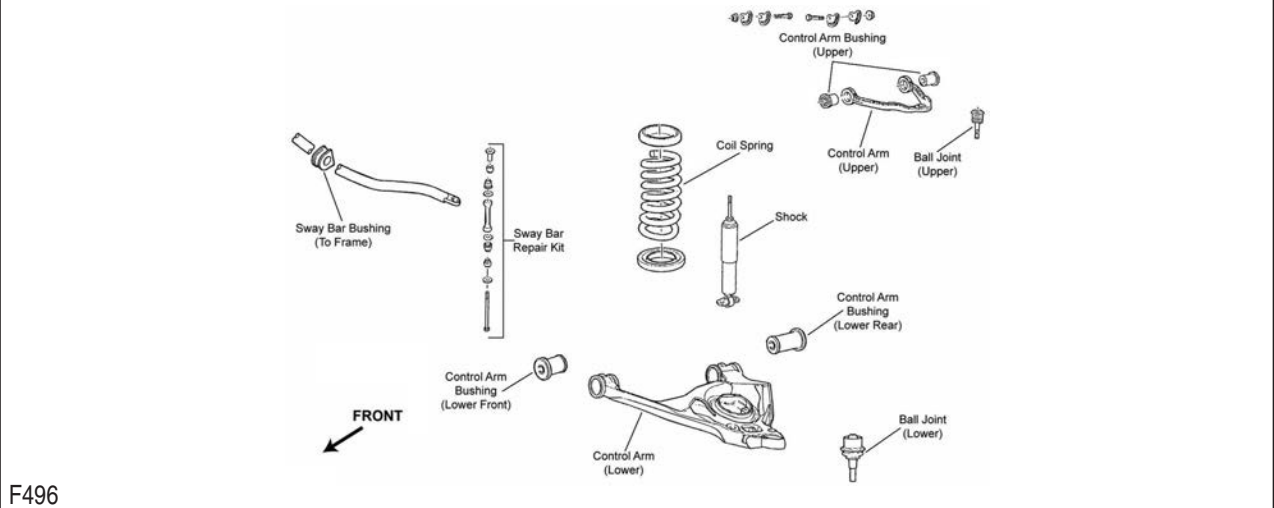
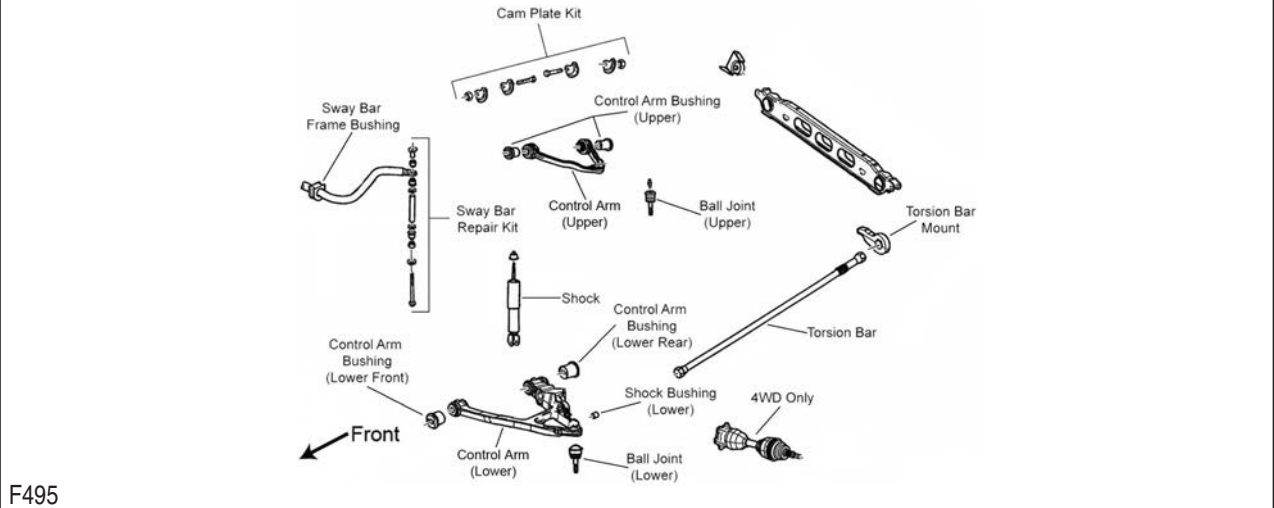
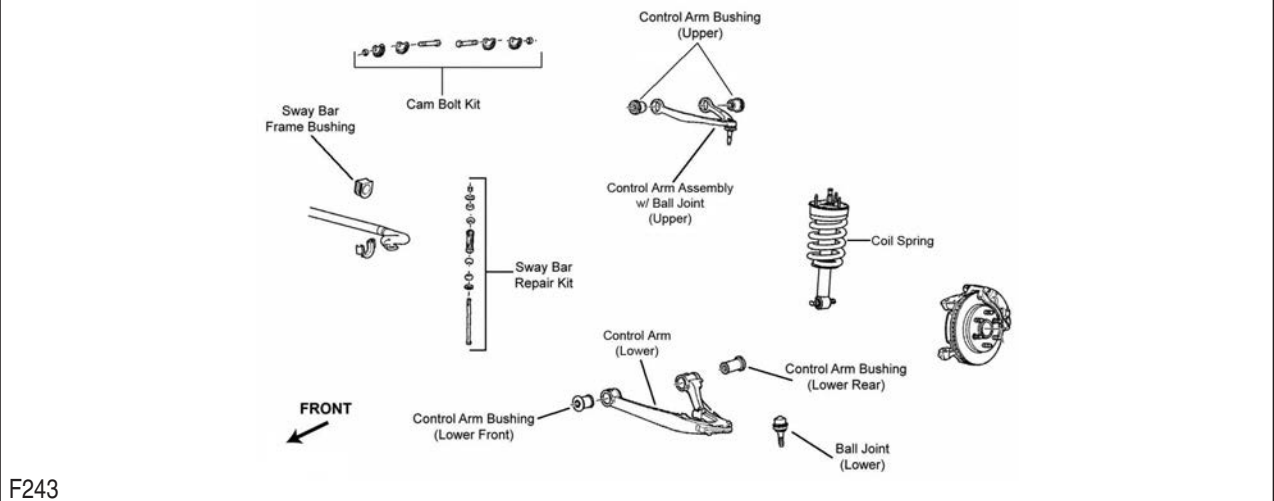
Year	Model/Application	Part	P/C Qty	Figure
<b>Sway Bar Link</b>				
2017	(Design Allows Ease Of Installation)	K750675 ‡	2	
<b>Wheel Hub &amp; Bearing Assembly</b>				
2017	All Wheel Drive	512593	2	

# CHEVROLET TRUCK-10 Series - 1/2 Ton

## FRONT SUSPENSION

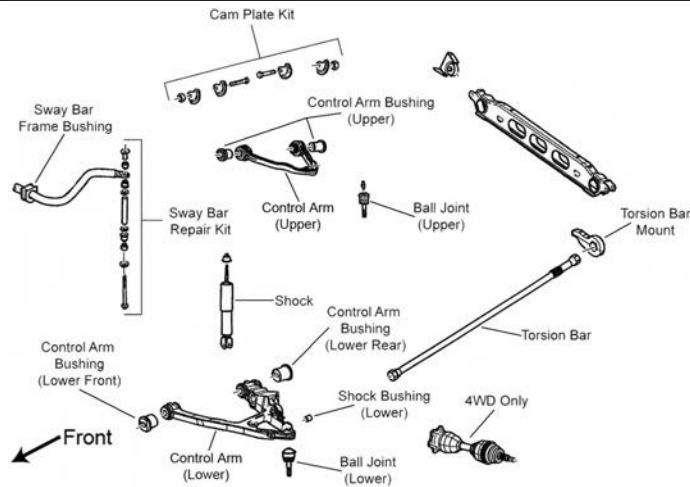


**(Cont.) 10 Series - 1/2 Ton-CHEVROLET TRUCK**  
**FRONT SUSPENSION (Cont.)**

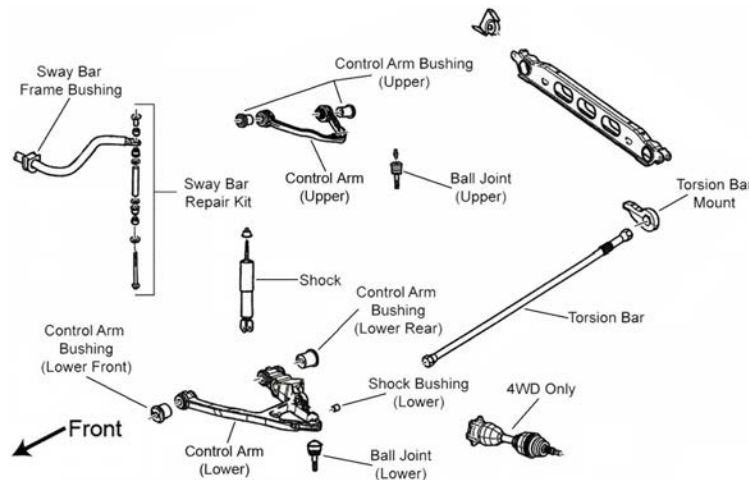


# CHEVROLET TRUCK-10 Series - 1/2 Ton (Cont.)

## FRONT SUSPENSION (Cont.)



F497



F503

Year	Model/Application	Part	P/C Qty	Figure
<b>Express 1500</b>				
<b>Ball Joint</b>				
2014-2003	4.150" Length, (Powdered Metal Gusher Brg. For Better Lubrication, New Pre-Installed Integral Dust Boot Eases Installation, New And Original Designs Can Be Installed) Plus Or Minus 3 Degrees Camber/Caster, (Adjustable, Greaseable Socket Reduces Corrosion/Wear)	Lower Upper	2 2	F495, F496 F495, F496
2008-2003	(Ball Joint Orientation Noted, Where Applicable)	Upper	2	F495, F496
<b>Control Arm Bushing</b>				
2014-2003	(Standard Design, Contains Front And Rear Bushings)	Upper	2	F495, F496
<b>Control Arm Bushing Set</b>				
2011-2003	All Wheel Drive, (Contains Front And Rear Bushings)	Lower	2	F495
<b>Control Arm with Ball Joint</b>				
2014-2003	(Offset Bushings Allow 2 Added Degrees Of Camber, Powdered Metal Gusher Brg. For Better Lubrication) (Offset Bushings Allow 2 Added Degrees Of Camber, R-Series) (Powdered Metal Gusher Brg. For Better Lubrication, Standard Bushing) (Standard Bushing, R-Series) Plus Or Minus 3 Degrees Camber/Caster, (Adjustable, R-Series) All Wheel Drive, (New Pre-Installed Integral Dust Boot Eases Installation, New And Original Designs Can Be Installed) All Wheel Drive, (R-Series) All Wheel Drive, (New Pre-Installed Integral Dust Boot Eases Installation, New And Original Designs Can Be Installed) All Wheel Drive, (R-Series)	Upper Upper Upper Upper Upper Left Lower Left Lower Right Lower Right Lower	2 2 2 2 2 1 1 1 1	F495, F496 F495, F496 F495, F496 F495, F496 F495, F496 F495 F495 F495 F495
<b>Shock Mount Bushing</b>				
2014-2003	All Wheel Drive	Lower	1	F495

## (Cont.) 10 Series - 1/2 Ton-CHEVROLET TRUCK

## FRONT SUSPENSION (Cont.)

Year	Model/Application	Part	P/C Qty	Figure
<b>Express 1500</b>				
<b>Strut Spring Seat</b>				
2014-2003	Two Wheel Drive (4x2), 171mm Outside Diameter	Upper	K160022	2 F496
<b>Sway Bar Bushing</b>				
2014-2009	(Improved Design Bushing With Premium Rubber Material And Synthetic Fabric Lining Lasts Longer And Eliminates Noise) (Standard Design)	To Frame To Frame	K201176 ‡ K6476	1 F495, F496 1 F495, F496
2008-2003	1-5/16" Sway Bar Diameter, (Improved Design Bushing With Premium Rubber Material And Synthetic Fabric Lining Lasts Longer And Eliminates Noise) 1-5/16" Sway Bar Diameter, (Includes Universal Mounting Bracket) 1-5/16" Sway Bar Diameter, (Standard Design)	To Frame To Frame To Frame	K201177 ‡ K7327 ‡ K6439	1 F495, F496 1 F495, F496 1 F495, F496
<b>Sway Bar Repair Kit</b>				
2007-2003	(Includes Polyurethane Bushings And Solid Metal Sleeve For Enhanced Performance. Barrel Nut Allows For Easier Installation.)		K700537 ‡	2 F495, F496
<b>Wheel Hub &amp; Bearing Assembly</b>				
2014			515161	2
2013-2003	All Wheel Drive, 6 Stud Hub Two Wheel Drive (4x2), 6 Stud Hub		515036 515054	2 2
<b>Silverado 1500</b>				
<b>Ball Joint</b>				
2018		Upper	K500340 ‡	2 F243
2017-2016	(For Steel Control Arm)	Upper	K500340 ‡	2 F243
2016	Aluminum Arm, (Design Allows Ease Of Installation)	Lower	K500245 ‡	2 F243
2016-2014	(For Vehicles With Aluminum Steering Knuckles Only, Design Allows Ease Of Installation)	Lower	K500245 ‡	2 F243
2015-2009	4.150" Length, (Will Not Fit Aluminum Steering Knuckles, Powdered Metal Gusher Brg. For Better Lubrication, New Pre-Installed Integral Dust Boot Eases Installation, New And Original Designs Can Be Installed)	Lower	K6541 ‡	2 F243
2013-2007	4.04" Length, (Aluminum Arm, Powdered Metal Gusher Brg. For Better Lubrication, New Pre-Installed Integral Dust Boot Eases Installation, New And Original Designs Can Be Installed)	Lower	K500007 ‡	2 F243
2008-2007	4.150" Length, (Steel Arm, Powdered Metal Gusher Brg. For Better Lubrication, New Pre-Installed Integral Dust Boot Eases Installation, New And Original Designs Can Be Installed)	Lower	K6541 ‡	2 F243
<b>Control Arm Bushing</b>				
2014-2007	(Standard Design, Contains Front And Rear Bushings)	Upper	K6688	2 F243
<b>Control Arm with Ball Joint</b>				
2018	Four Wheel Drive (4X4), Except Off Road Package, Cast Iron Arm, (Will Not Fit Aluminum Steering Knuckles, Contains Bushings, New Pre-Installed Integral Dust Boot Eases Installation, New And Original Designs Can Be Installed)	Left Lower	CK620956 ‡	1 F243
	Four Wheel Drive (4X4), Except Off Road Package, Cast Iron Arm, (Will Not Fit Aluminum Steering Knuckles, Contains Bushings, R-Series)	Left Lower	RK620888	1 F243
	Two Wheel Drive (4x2), Except Off Road Package, Cast Iron Arm, (Will Not Fit Aluminum Steering Knuckles, Contains Bushings, New Pre-Installed Integral Dust Boot Eases Installation, New And Original Designs Can Be Installed)	Left Lower	CK620956 ‡	1 F243
	Two Wheel Drive (4x2), Except Off Road Package, Cast Iron Arm, (Will Not Fit Aluminum Steering Knuckles, Contains Bushings, R-Series)	Left Lower	RK620888	1 F243
2018-2014	Two Wheel Drive (4x2), Cast Iron Arm, (Will Not Fit Aluminum Steering Knuckles, Contains Bushings, New Pre-Installed Integral Dust Boot Eases Installation, New And Original Designs Can Be Installed)	Left Lower	CK620956 ‡	1 F243
	Two Wheel Drive (4x2), Cast Iron Arm, (Will Not Fit Aluminum Steering Knuckles, Contains Bushings, R-Series)	Left Lower	RK620888	1 F243
2017-2016	Except Off Road Package, Cast Iron Arm, (Will Not Fit Aluminum Steering Knuckles, Contains Bushings, New Pre-Installed Integral Dust Boot Eases Installation, New And Original Designs Can Be Installed)	Left Lower	CK620956 ‡	1 F243
	Except Off Road Package, Cast Iron Arm, (Will Not Fit Aluminum Steering Knuckles, Contains Bushings, R-Series)	Left Lower	RK620888	1 F243
2016	Four Wheel Drive (4X4), Cast Iron Arm, (Will Not Fit Aluminum Steering Knuckles, Contains Bushings, New Pre-Installed Integral Dust Boot Eases Installation, New And Original Designs Can Be Installed)	Right Lower	CK620955 ‡	1 F243
	Four Wheel Drive (4X4), Cast Iron Arm, (Will Not Fit Aluminum Steering Knuckles, Contains Bushings, R-Series)	Right Lower	RK620889	1 F243
2016-2014	Plus Or Minus 3 Degrees Camber; Plus Or Minus 1.5 Degrees Caster, (Adjustable, Forged Steel, Will Not Fit Aluminum Steering Knuckles, R-Series)	Left Upper	RK100214	1 F243
	Plus Or Minus 3 Degrees Camber; Plus Or Minus 1.5 Degrees Caster, (Adjustable, Forged Steel, Will Not Fit Aluminum Steering Knuckles, R-Series)	Right Upper	RK100215	1 F243
	Four Wheel Drive (4X4), Except Off Road Package, Cast Iron Arm, (Will Not Fit Aluminum Steering Knuckles, Contains Bushings, New Pre-Installed Integral Dust Boot Eases Installation, New And Original Designs Can Be Installed)	Left Lower	CK620956 ‡	1 F243
	Four Wheel Drive (4X4), Except Off Road Package, Cast Iron Arm, (Will Not Fit Aluminum Steering Knuckles, Contains Bushings, R-Series)	Left Lower	RK620888	1 F243

# CHEVROLET TRUCK-10 Series - 1/2 Ton (Cont.)

## FRONT SUSPENSION (Cont.)

Year	Model/Application	Part	P/C Qty	Figure
<b>Silverado 1500</b>				
<b>Control Arm with Ball Joint</b>				
2016-2014 (Cont.)	Two Wheel Drive (4x2), Cast Iron Arm, (Will Not Fit Aluminum Steering Knuckles, Contains Bushings, New Pre-Installed Integral Dust Boot Eases Installation, New And Original Designs Can Be Installed)	Right Lower <b>CK620955 ‡</b>	1	F243
	Two Wheel Drive (4x2), Cast Iron Arm, (Will Not Fit Aluminum Steering Knuckles, Contains Bushings, R-Series)	Right Lower <b>RK620889</b>	1	F243
2015-2014	Cast Iron Arm, (Will Not Fit Aluminum Steering Knuckles, Contains Bushing, Powdered Metal Gusher Brg. For Better Lubrication)	Left Upper <b>CK80669 ‡</b>	1	F243
	Cast Iron Arm, (Will Not Fit Aluminum Steering Knuckles, R-Series)	Left Upper <b>RK80669</b>	1	F243
	Cast Iron Arm, (Will Not Fit Aluminum Steering Knuckles, Contains Bushing, Powdered Metal Gusher Brg. For Better Lubrication)	Right Upper <b>CK80670 ‡</b>	1	F243
	Cast Iron Arm, (Will Not Fit Aluminum Steering Knuckles, R-Series)	Right Upper <b>RK80670</b>	1	F243
	Four Wheel Drive (4X4), Except Off Road Package, Cast Iron Arm, (Will Not Fit Aluminum Steering Knuckles, Contains Bushings, New Pre-Installed Integral Dust Boot Eases Installation, New And Original Designs Can Be Installed)	Right Lower <b>CK620955 ‡</b>	1	F243
	Four Wheel Drive (4X4), Except Off Road Package, Cast Iron Arm, (Will Not Fit Aluminum Steering Knuckles, Contains Bushings, R-Series)	Right Lower <b>RK620889</b>	1	F243
2013-2009	Cast Iron Arm, (Will Not Fit Aluminum Steering Knuckles, Contains Bushings, New Pre-Installed Integral Dust Boot Eases Installation, New And Original Designs Can Be Installed)	Left Lower <b>CK620956 ‡</b>	1	F243
	Cast Iron Arm, (Will Not Fit Aluminum Steering Knuckles, R-Series)	Left Lower <b>RK620888</b>	1	F243
	Cast Iron Arm, (Will Not Fit Aluminum Steering Knuckles, Contains Bushings, New Pre-Installed Integral Dust Boot Eases Installation, New And Original Designs Can Be Installed)	Right Lower <b>CK620955 ‡</b>	1	F243
	Cast Iron Arm, (Will Not Fit Aluminum Steering Knuckles, Contains Bushings, R-Series)	Right Lower <b>RK620889</b>	1	F243
2013-2007	(Contains Bushing, Powdered Metal Gusher Brg. For Better Lubrication) (R-Series)	Left Upper <b>CK80669 ‡</b>	1	F243
	(Contains Bushing, Powdered Metal Gusher Brg. For Better Lubrication) (R-Series)	Left Upper <b>RK80669</b>	1	F243
	(Contains Bushing, Powdered Metal Gusher Brg. For Better Lubrication) (R-Series)	Right Upper <b>CK80670 ‡</b>	1	F243
	(Contains Bushing, Powdered Metal Gusher Brg. For Better Lubrication) (R-Series)	Right Upper <b>RK80670</b>	1	F243
	Plus Or Minus 3 Degrees Camber; Plus Or Minus 1.5 Degrees Caster, (Adjustable, R-Series)	Left Upper <b>RK100214</b>	1	F243
	Plus Or Minus 3 Degrees Camber; Plus Or Minus 1.5 Degrees Caster, (Adjustable, R-Series)	Right Upper <b>RK100215</b>	1	F243
2008-2007	(Contains Bushings, New Pre-Installed Integral Dust Boot Eases Installation, New And Original Designs Can Be Installed)	Left Lower <b>CK620956 ‡</b>	1	F243
	(Contains Bushings, R-Series)	Left Lower <b>RK620888</b>	1	F243
	(Contains Bushings, New Pre-Installed Integral Dust Boot Eases Installation, New And Original Designs Can Be Installed)	Right Lower <b>CK620955 ‡</b>	1	F243
	(Contains Bushings, R-Series)	Right Lower <b>RK620889</b>	1	F243
<b>Strut and Spring Assembly</b>				
2013-2010	Except Electronic Suspension, (Strut, Spring & Top Mount)	<b>ST8583</b>	2	F243
2009-2007	Four Wheel Drive (4X4), Except Electronic Suspension, (Strut, Spring & Top Mount)	<b>ST8583</b>	2	F243
<b>Strut Bumper Bellows</b>				
2013-2007		<b>K150275</b>	2	F243
<b>Strut Mount</b>				
2013-2007	Except Auto Leveling System, (Bearing Not Included, Contains Spring Seat, Design Allows Ease Of Installation)	<b>K160098 ‡</b>	2	F243
<b>Strut Spring Seat</b>				
2017-2014	Except Magnetic Ride Control Suspension	Upper <b>K160310</b>	2	F243
2013-2007	Except Auto Leveling System	Lower <b>K160311</b>	2	F243
		Upper <b>K160310</b>	2	F243
<b>Sway Bar Bushing</b>				
2018-2007	34mm Sway Bar Diameter, (Improved Design Bushing With Premium Rubber Material And Synthetic Fabric Lining Lasts Longer And Eliminates Noise)	To Frame <b>K201612 ‡</b>	1	F243
		To Frame <b>K200221</b>	1	F243
		To Frame <b>K200222</b>	1	F243
2017-2007	30mm Sway Bar Diameter, (Improved Design Bushing With Premium Rubber Material And Synthetic Fabric Lining Lasts Longer And Eliminates Noise)	To Frame <b>K201611 ‡</b>	1	F243
<b>Sway Bar Repair Kit</b>				
2016-2007	7-1/4" Length, (Includes Polyurethane Bushings And Solid Metal Sleeve For Enhanced Performance. Barrel Nut Allows For Easier Installation.)	<b>K700538 ‡</b>	2	F243
<b>Wheel Hub &amp; Bearing Assembly</b>				
2018-2014	Four Wheel Drive (4X4)	<b>515160</b>	2	
2016-2014	Two Wheel Drive (4x2)	<b>515159</b>	2	
2013-2007	Four Wheel Drive (4X4)	<b>515096</b>	2	
	Two Wheel Drive (4x2)	<b>515097</b>	2	
<b>Silverado Classic 1500</b>				
<b>Ball Joint</b>				
2007	(Ball Joint Orientation Noted, Where Applicable)	Upper <b>K6540 ‡</b>	2	F070, F497, F503

**(Cont.) 10 Series - 1/2 Ton-CHEVROLET TRUCK****FRONT SUSPENSION (Cont.)**

Year	Model/Application	Part	P/C Qty	Figure
<b>Silverado Classic 1500</b>				
<b>Ball Joint</b>				
2007 (Cont.)	Plus Or Minus 3 Degrees Camber/Caster, (Adjustable, Greaseable Socket Reduces Corrosion/Wear) Upper	<b>K100116 ‡</b>	2	F070, F497, F503
	Four Wheel Drive (4X4), 4.150" Length, (Powdered Metal Gusher Brg. For Better Lubrication, New Pre-Installed Integral Dust Boot Eases Installation, New And Original Designs Can Be Installed) Lower	<b>K6541 ‡</b>	2	F497
	Two Wheel Drive (4x2), Front Coil Spring Suspension, (Powdered Metal Gusher Brg. For Better Lubrication, New Pre-Installed Integral Dust Boot Eases Installation, New And Original Designs Can Be Installed) Lower	<b>K6539 ‡</b>	2	F070
	Two Wheel Drive (4x2), Front Torsion Bar Suspension, 4.150" Length, (Powdered Metal Gusher Brg. For Better Lubrication, New Pre-Installed Integral Dust Boot Eases Installation, New And Original Designs Can Be Installed) Lower	<b>K6541 ‡</b>	2	F503
<b>Control Arm Bushing</b>				
2007	(Contains Front And Rear Bushings) Upper	<b>K6688</b>	2	F070, F497, F503
<b>Control Arm with Ball Joint</b>				
2007	(Offset Bushings Allow 2 Added Degrees Of Camber, Powdered Metal Gusher Brg. For Better Lubrication) Upper	<b>CK80826 ‡</b>	2	F070, F497, F503
	(Offset Bushings Allow 2 Added Degrees Of Camber, R-Series) Upper	<b>RK80826</b>	2	F070, F497, F503
	(Powdered Metal Gusher Brg. For Better Lubrication, Standard Bushing) Upper	<b>CK80942 ‡</b>	2	F070, F497, F503
	(Standard Bushing, R-Series) Upper	<b>RK80942</b>	2	F070, F497, F503
	Plus Or Minus 3 Degrees Camber/Caster, (Adjustable, R-Series) Upper	<b>RK621782</b>	2	F070, F497, F503
	Four Wheel Drive (4X4), (New Pre-Installed Integral Dust Boot Eases Installation, New And Original Designs Can Be Installed) Left Lower	<b>CK620381 ‡</b>	1	F497
	Four Wheel Drive (4X4), (R-Series) Left Lower	<b>RK620381</b>	1	F497
	Four Wheel Drive (4X4), (New Pre-Installed Integral Dust Boot Eases Installation, New And Original Designs Can Be Installed) Right Lower	<b>CK620380 ‡</b>	1	F497
	Four Wheel Drive (4X4), (R-Series) Right Lower	<b>RK620380</b>	1	F497
	Two Wheel Drive (4x2), Front Coil Spring Suspension, (R-Series) Left Lower	<b>RK620265</b>	1	F070
	Two Wheel Drive (4x2), Front Coil Spring Suspension, (R-Series) Right Lower	<b>RK620264</b>	1	F070
	Two Wheel Drive (4x2), Front Torsion Bar Suspension, (New Pre-Installed Integral Dust Boot Eases Installation, New And Original Designs Can Be Installed) Left Lower	<b>CK620381 ‡</b>	1	F503
	Two Wheel Drive (4x2), Front Torsion Bar Suspension, (R-Series) Left Lower	<b>RK620381</b>	1	F503
	Two Wheel Drive (4x2), Front Torsion Bar Suspension, (New Pre-Installed Integral Dust Boot Eases Installation, New And Original Designs Can Be Installed) Right Lower	<b>CK620380 ‡</b>	1	F503
	Two Wheel Drive (4x2), Front Torsion Bar Suspension, (R-Series) Right Lower	<b>RK620380</b>	1	F503
<b>Shock Mount Bushing</b>				
2007	Four Wheel Drive (4X4) Lower	<b>K6724</b>	1	F497
	Two Wheel Drive (4x2), Front Torsion Bar Suspension Lower	<b>K6724</b>	1	F503
<b>Strut Spring Seat</b>				
2007	Two Wheel Drive (4x2), 161mm Outside Diameter Upper	<b>K160021</b>	2	F070
<b>Sway Bar Bushing</b>				
2007	1-1/4" Sway Bar Diameter, (Improved Design Bushing With Premium Rubber Material And Synthetic Fabric Lining Lasts Longer And Eliminates Noise) To Frame	<b>K201176 ‡</b>	1	F070, F497, F503
	1-1/4" Sway Bar Diameter, (Standard Design) To Frame	<b>K6476</b>	1	F070, F497, F503
	1-1/8" Sway Bar Diameter, (Improved Design Bushing With Premium Rubber Material And Synthetic Fabric Lining Lasts Longer And Eliminates Noise) Rubber, To Frame	<b>K201174 ‡</b>	1	F070, F497, F503
	1-1/8" Sway Bar Diameter, (Standard Design) Rubber, To Frame	<b>K6408</b>	1	F070, F497, F503
	1-3/16" Sway Bar Diameter, (Improved Design Bushing With Premium Rubber Material And Synthetic Fabric Lining Lasts Longer And Eliminates Noise) To Frame	<b>K201175 ‡</b>	1	F070, F497, F503
	1-3/16" Sway Bar Diameter, (Standard Design) To Frame	<b>K6437</b>	1	F070, F497, F503
	1-5/16" Sway Bar Diameter, (Improved Design Bushing With Premium Rubber Material And Synthetic Fabric Lining Lasts Longer And Eliminates Noise) To Frame	<b>K201177 ‡</b>	1	F070, F497, F503
	1-5/16" Sway Bar Diameter, (Standard Design) To Frame	<b>K6439</b>	1	F070, F497, F503
<b>Sway Bar Repair Kit</b>				
2007	(Includes Polyurethane Bushings And Solid Metal Sleeve For Enhanced Performance. Barrel Nut Allows For Easier Installation.)	<b>K700539 ‡</b>	2	F070, F497, F503
<b>Torsion Bar Key, Adjustable</b>				
2007	6 Stud Hub, Minus 1/2 To Plus 1-1/2 Degree, (Allows Front Ride Height Changes Up To 3" Above OEM)	<b>K100011 ‡</b>	1	F497, F503
<b>Wheel Hub &amp; Bearing Assembly</b>				
2007	Four Wheel Drive (4X4), 6 Stud Hub	<b>515036</b>	2	
	Two Wheel Drive (4x2), 6 Stud Hub, 16" Wheels	<b>515054</b>	2	
	Two Wheel Drive (4x2), 6 Stud Hub, 17" Wheels	<b>515071</b>	2	

# CHEVROLET TRUCK-10 Series - 1/2 Ton (Cont.)

## FRONT SUSPENSION (Cont.)

Year	Model/Application	Part	P/C Qty	Figure
<b>Silverado Classic 1500HD</b>				
<b>Ball Joint</b>				
2007	(Ball Joint Orientation Noted, Where Applicable) (Press In Type, Oversized Stud Ball For Superior Load Carrying) Plus Or Minus 3 Degrees Camber/Caster, (Adjustable, Greaseable) Plus Or Minus 3 Degrees Camber/Caster, (Adjustable, Non-Greasable, Do Not Use With Tires Over 33" Without A Tall Knuckle Lift Kit)	Upper Lower Upper Upper	K6696 ‡ K6693 ‡ K100108 ‡ K100317	2 2 2 2 F077 F077 F077 F077
<b>Control Arm Bumper Bushing</b>				
2007	(Square with Domed Top Bumper Bushing, 1 Per Package) (Square with Domed Top Bumper Bushing, 2 Per Package)	Lower Lower	K201426B K201426 ‡	2 1 F077 F077
<b>Control Arm Bushing</b>				
2007	For Welded Arm, (Standard Design, Contains Front And Rear Bushings) For Welded Arm, Up To +/- 1 Degree Camber. (Offset Bushing To Provide Additional Caster/Camber, Adjustable)	Upper Upper	K200044 K6670 ‡	2 2 F077 F077
<b>Control Arm Bushing Set</b>				
2007	(Contains Front And Rear Bushings)	Lower	K6658	2 F077
<b>Control Arm with Ball Joint</b>				
2007	(Contains Standard Bushing, R-Series) (Offset Bushings Allow 2 Added Degrees Of Camber, Powdered Metal Gusher Brg. For Better Lubrication) (Powdered Metal Gusher Brg. For Better Lubrication, Standard Bushing) (Contains Bushing, R-Series) (Contains Bushing, R-Series) Plus Or Minus 3 Degrees Camber/Caster, (Adjustable, R-Series)	Upper Upper Upper Left Lower Right Lower Upper	RK620054 CK620053 ‡ CK620054 ‡ RK621356 RK621355 RK621783	2 2 2 1 1 2 F077 F077 F077 F077 F077
<b>Sway Bar Bushing</b>				
2007	1-5/16" Sway Bar Diameter, (Improved Design Bushing With Premium Rubber Material And Synthetic Fabric Lining Lasts Longer And Eliminates Noise) 1-5/16" Sway Bar Diameter, (Standard Design)	To Frame To Frame	K201177 ‡ K6439	1 1 F077 F077
<b>Sway Bar Repair Kit</b>				
2007	(Includes Polyurethane Bushings And Solid Metal Sleeve For Enhanced Performance. Barrel Nut Allows For Easier Installation.)		K700539 ‡	2 F077
<b>Torsion Bar Key, Adjustable</b>				
2007	8 Stud Hub, Minus 1/2 To Plus 1-1/2 Degree, (Allows Front Ride Height Changes Up To 2" Above OEM)		K100012 ‡	1 F077
<b>Wheel Hub &amp; Bearing Assembly</b>				
2007	Four Wheel Drive (4X4), (8 Stud Hub) Two Wheel Drive (4x2)		515058 515086	2 2
<b>Suburban</b>				
<b>Ball Joint</b>				
2018		Upper	K500340 ‡	2 F243
2017-2015	(For Steel Control Arm)	Upper	K500340 ‡	2 F243
2016-2015	Aluminum Arm, (Design Allows Ease Of Installation)	Lower	K500245 ‡	2 F243
2014	4.04" Length, (Aluminum Arm, Powdered Metal Gusher Brg. For Better Lubrication, New Pre-Installed Integral Dust Boot Eases Installation, New And Original Designs Can Be Installed)	Lower	K500007 ‡	2 F243
<b>Control Arm Bushing</b>				
2014	(Standard Design, Contains Front And Rear Bushings)	Upper	K6688	2 F243
<b>Control Arm with Ball Joint</b>				
2018-2016	Cast Iron Arm, (Will Not Fit Aluminum Steering Knuckles, Contains Bushings, New Pre-Installed Integral Dust Boot Eases Installation, New And Original Designs Can Be Installed) Cast Iron Arm, (Will Not Fit Aluminum Steering Knuckles, Contains Bushings, R-Series)	Left Lower Left Lower	CK620956 ‡ RK620888	1 1 F243 F243
2016-2015	Plus Or Minus 3 Degrees Camber; Plus Or Minus 1.5 Degrees Caster, (Adjustable, Forged Steel, Will Not Fit Aluminum Steering Knuckles, R-Series) Plus Or Minus 3 Degrees Camber; Plus Or Minus 1.5 Degrees Caster, (Adjustable, Forged Steel, Will Not Fit Aluminum Steering Knuckles, R-Series)	Left Upper Right Upper	RK100214 RK100215	1 1 F243 F243
2014	(Contains Bushing, Powdered Metal Gusher Brg. For Better Lubrication) (R-Series) (Contains Bushing, Powdered Metal Gusher Brg. For Better Lubrication) (R-Series) Plus Or Minus 3 Degrees Camber; Plus Or Minus 1.5 Degrees Caster, (Adjustable, R-Series) Plus Or Minus 3 Degrees Camber; Plus Or Minus 1.5 Degrees Caster, (Adjustable, R-Series)	Left Upper Left Upper Right Upper Right Upper Left Upper Right Upper	CK80669 ‡ RK80669 CK80670 ‡ RK80670 RK100214 RK100215	1 1 1 1 1 1 F243 F243 F243 F243 F243 F243
	Cast Iron Arm, (Will Not Fit Aluminum Steering Knuckles, Contains Bushings, New Pre-Installed Integral Dust Boot Eases Installation, New And Original Designs Can Be Installed) Cast Iron Arm, (Will Not Fit Aluminum Steering Knuckles, Contains Bushings, R-Series) Cast Iron Arm, (Will Not Fit Aluminum Steering Knuckles, Contains Bushings, R-Series) Cast Iron Arm, (Will Not Fit Aluminum Steering Knuckles, Contains Bushings, New Pre-Installed Integral Dust Boot Eases Installation, New And Original Designs Can Be Installed) Cast Iron Arm, (Will Not Fit Aluminum Steering Knuckles, Contains Bushings, R-Series)	Left Lower Left Lower Right Lower Right Lower	CK620956 ‡ RK620888 CK620955 ‡ RK620889	1 1 1 1 F243 F243 F243 F243

## (Cont.) 10 Series - 1/2 Ton-CHEVROLET TRUCK

## FRONT SUSPENSION (Cont.)

Year	Model/Application	Part	P/C Qty	Figure
<b>Suburban</b>				
<b>Strut Bumper Bellows</b>				
2014		K150275	2	F243
<b>Strut Mount</b>				
2014	Except Auto Leveling System, (Bearing Not Included, Contains Spring Seat, Design Allows Ease Of Installation)	K160098 ‡	2	F243
<b>Strut Spring Seat</b>				
2017-2015	Except Magnetic Ride Control Suspension	Upper K160310	2	F243
2014		Lower K160311	2	F243
	Except Auto Leveling System	Upper K160310	2	F243
<b>Sway Bar Bushing</b>				
2018-2014	36mm Sway Bar Diameter, (Standard Design)	To Frame K200222	1	F243
2017-2014	30mm Sway Bar Diameter, (Improved Design Bushing With Premium Rubber Material And Synthetic Fabric Lining Lasts Longer And Eliminates Noise)	To Frame K201611 ‡	1	F243
<b>Sway Bar Repair Kit</b>				
2016	Cast Iron Arm, Aluminum Arm, 7-1/4" Length, (Includes Polyurethane Bushings And Solid Metal Sleeve For Enhanced Performance. Barrel Nut Allows For Easier Installation.)	K700538 ‡	2	F243
2015-2014	7-1/4" Length, (Includes Polyurethane Bushings And Solid Metal Sleeve For Enhanced Performance. Barrel Nut Allows For Easier Installation.)	K700538 ‡	2	F243
<b>Wheel Hub &amp; Bearing Assembly</b>				
2018-2015	Four Wheel Drive (4X4)	515160	2	
2016-2015	Two Wheel Drive (4x2)	515159	2	
2014	Four Wheel Drive (4X4)	515096	2	
	Two Wheel Drive (4x2)	515097	2	
<b>Suburban 1500</b>				
<b>Ball Joint</b>				
2013-2009	4.04" Length, (Aluminum Arm, Powdered Metal Gusher Brg. For Better Lubrication, New Pre-Installed Integral Dust Boot Eases Installation, New And Original Designs Can Be Installed)	Lower K500007 ‡	2	F243
	4.150" Length, (Steel Arm, Powdered Metal Gusher Brg. For Better Lubrication, New Pre-Installed Integral Dust Boot Eases Installation, New And Original Designs Can Be Installed)	Lower K6541 ‡	2	F243
2008	4.150" Length, (Powdered Metal Gusher Brg. For Better Lubrication, New Pre-Installed Integral Dust Boot Eases Installation, New And Original Designs Can Be Installed)	Lower K6541 ‡	2	F243
2007	4.04" Length, (Aluminum Arm, Powdered Metal Gusher Brg. For Better Lubrication, New Pre-Installed Integral Dust Boot Eases Installation, New And Original Designs Can Be Installed)	Lower K500007 ‡	2	F243
	4.150" Length, (Steel Arm, Powdered Metal Gusher Brg. For Better Lubrication, New Pre-Installed Integral Dust Boot Eases Installation, New And Original Designs Can Be Installed)	Lower K6541 ‡	2	F243
<b>Control Arm Bushing</b>				
2013-2007	(Standard Design, Contains Front And Rear Bushings)	Upper K6688	2	F243
<b>Control Arm with Ball Joint</b>				
2013-2009	Cast Iron Arm, (Will Not Fit Aluminum Steering Knuckles, Contains Bushings, New Pre-Installed Integral Dust Boot Eases Installation, New And Original Designs Can Be Installed)	Left Lower CK620956 ‡	1	F243
	Cast Iron Arm, (Will Not Fit Aluminum Steering Knuckles, Contains Bushings, R-Series)	Left Lower RK620888	1	F243
	Cast Iron Arm, (Will Not Fit Aluminum Steering Knuckles, Contains Bushings, New Pre-Installed Integral Dust Boot Eases Installation, New And Original Designs Can Be Installed)	Right Lower CK620955 ‡	1	F243
	Cast Iron Arm, (Will Not Fit Aluminum Steering Knuckles, Contains Bushings, R-Series)	Right Lower RK620889	1	F243
2013-2007	(Contains Bushing, Powdered Metal Gusher Brg. For Better Lubrication)	Left Upper CK80669 ‡	1	F243
	(R-Series)	Left Upper RK80669	1	F243
	(Contains Bushing, Powdered Metal Gusher Brg. For Better Lubrication)	Right Upper CK80670 ‡	1	F243
	(R-Series)	Right Upper RK80670	1	F243
	Plus Or Minus 3 Degrees Camber; Plus Or Minus 1.5 Degrees Caster, (Adjustable, R-Series)	Left Upper RK100214	1	F243
	Plus Or Minus 3 Degrees Camber; Plus Or Minus 1.5 Degrees Caster, (Adjustable, R-Series)	Right Upper RK100215	1	F243
2008-2007	(Contains Bushings, New Pre-Installed Integral Dust Boot Eases Installation, New And Original Designs Can Be Installed)	Left Lower CK620956 ‡	1	F243
	(Contains Bushings, R-Series)	Left Lower RK620888	1	F243
	(Contains Bushings, New Pre-Installed Integral Dust Boot Eases Installation, New And Original Designs Can Be Installed)	Right Lower CK620955 ‡	1	F243
	(Contains Bushings, R-Series)	Right Lower RK620889	1	F243
<b>Strut Bumper Bellows</b>				
2013-2007		K150275	2	F243
<b>Strut Mount</b>				
2013-2007	Except Auto Leveling System, (Bearing Not Included, Contains Spring Seat, Design Allows Ease Of Installation)	K160098 ‡	2	F243
<b>Strut Spring Seat</b>				
2013-2007		Lower K160311	2	F243

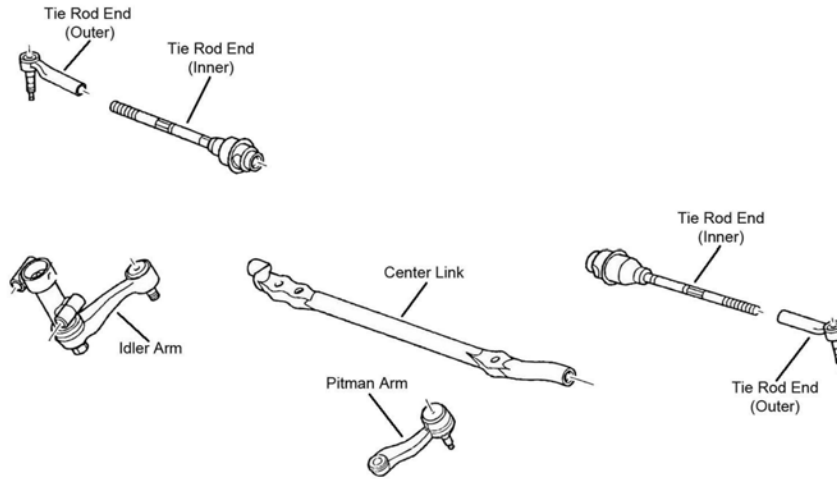


# CHEVROLET TRUCK-10 Series - 1/2 Ton (Cont.)

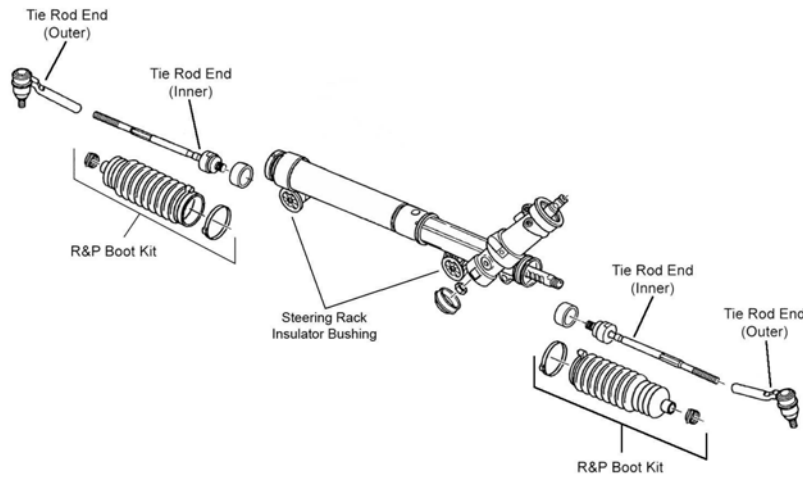
## FRONT SUSPENSION (Cont.)

Year	Model/Application	Part	P/C Qty	Figure
<b>Suburban 1500</b>				
<b>Strut Spring Seat</b>				
2013-2007 (Cont.)	Except Auto Leveling System	Upper	K160310	2 F243
<b>Sway Bar Bushing</b>				
2013-2007	30mm Sway Bar Diameter, (Improved Design Bushing With Premium Rubber Material And Synthetic Fabric Lining Lasts Longer And Eliminates Noise) 36mm Sway Bar Diameter, (Standard Design)	To Frame	K201611 ‡	1 F243
		To Frame	K200222	1 F243
<b>Sway Bar Repair Kit</b>				
2013-2007	7-1/4" Length, (Includes Polyurethane Bushings And Solid Metal Sleeve For Enhanced Performance. Barrel Nut Allows For Easier Installation.)		K700538 ‡	2 F243
<b>Wheel Hub &amp; Bearing Assembly</b>				
2013-2007	Four Wheel Drive (4X4) Two Wheel Drive (4x2)		515096	2
			515097	2

## STEERING



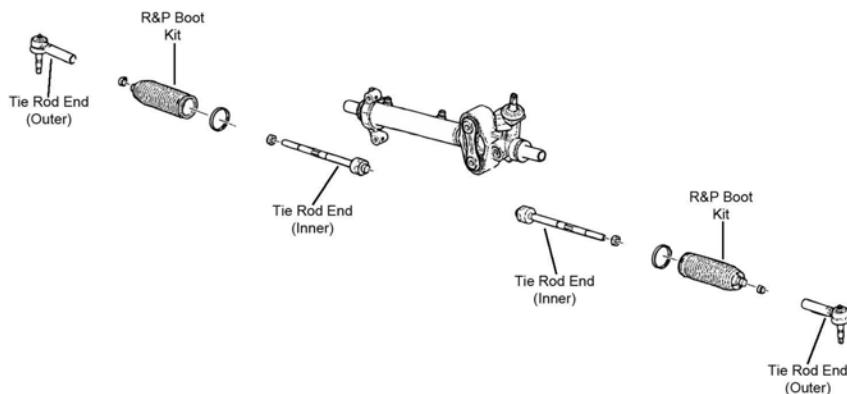
S002



S082

(Cont.) 10 Series - 1/2 Ton-CHEVROLET TRUCK

STEERING (Cont.)



S110

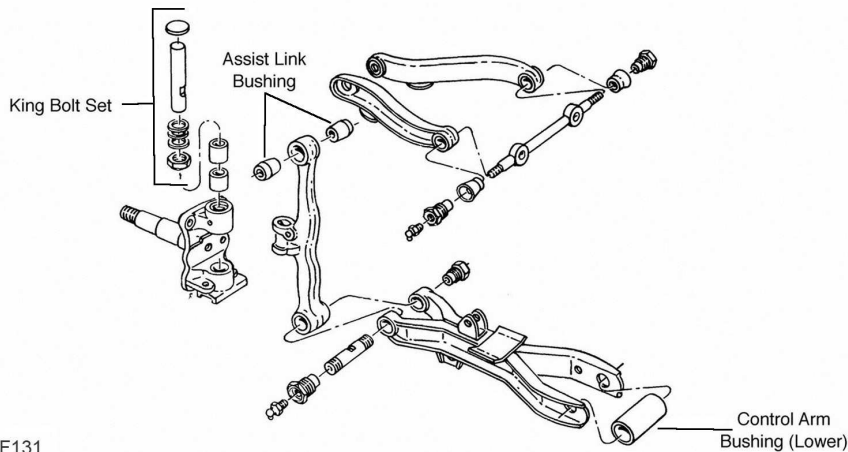
Year	Model/Application	Part	P/C Qty	Figure
<b>Express 1500</b>				
<b>Tie Rod End</b>				
2014-2003	(Powdered Metal Gusher Brg. For Better Lubrication) (Powdered Metal Gusher Brg. For Better Lubrication)	Outer Inner	ES80311 ‡ EV80191 ‡	2 2 S082 S082
<b>Silverado 1500</b>				
<b>Tie Rod End</b>				
2018-2014	(Design Allows Ease Of Installation) (Powdered Metal Gusher Brg. For Better Lubrication)	Outer Inner	ES800948 ‡ EV800938 ‡	2 2
2013-2010	LS, LT, LTZ, WT (Work Truck), XFE, (Powdered Metal Gusher Brg. For Better Lubrication) LS, LT, LTZ, WT (Work Truck), XFE, (Powdered Metal Gusher Brg. For Better Lubrication)	Outer Inner	ES800223 ‡ EV800084 ‡	2 2 S110 S110
2013-2009	Hybrid, (Powdered Metal Gusher Brg. For Better Lubrication)	Outer	ES800621 ‡	2 S110
2009	LS, LT, LTZ, WT (Work Truck), (Powdered Metal Gusher Brg. For Better Lubrication) LS, LT, LTZ, WT (Work Truck), (Powdered Metal Gusher Brg. For Better Lubrication)	Outer Inner	ES800223 ‡ EV800084 ‡	2 2 S110 S110
2008	(Powdered Metal Gusher Brg. For Better Lubrication)	Inner	EV800084 ‡	2 S110
2008-2007	(Powdered Metal Gusher Brg. For Better Lubrication)	Outer	ES800223 ‡	2 S110
2007	LS, LT, LTZ, WT (Work Truck), (Powdered Metal Gusher Brg. For Better Lubrication)	Inner	EV800084 ‡	2 S110
<b>Silverado Classic 1500</b>				
<b>Center Link</b>				
2007	Pickup (2 Dr.), Pickup (4 Dr. Ext'd Cab), Four Wheel Drive (4X4), 28.75" Length, (2 Tapered Holes, Greaseable Socket Reduces Corrosion/Wear) Pickup (4 Dr.) Crew Cab, 30.5" Length, (Contains Inner Tie Rod Ends) Pickup (4 Dr.) Crew Cab, 30.5" Length, (Has Hole For Steering Stabilizer)		DS300010 ‡ DS300059A DS300011	1 1 1 S002 S002 S002
<b>Idler Arm</b>				
2007	(Without Bracket, Heavy Duty Dual Tapered, High Strength Durable Stud) (Without Bracket, Powdered Metal Gusher Brg. For Better Lubrication)		K6534HD ‡ K6534 ‡	1 1 S002 S002
<b>Idler Arm Bracket Assembly</b>				
2007	(Bracket Pivot Assembly, Includes Powdered-Metal Gusher Bearing To Allow Grease To Penetrate Bearing Surfaces. Includes Bracket Assembly And Problem Solving Grease Hose Kit.)		K6723 ‡	1 S002
<b>Idler Arm Grease Hose Kit</b>				
2007	Base Model, Hybrid, LS, LT, SS, WT (Work Truck), (Allows Easy Access To Idler Arm Grease Fitting)		K6714 ‡	1
<b>Pitman Arm</b>				
2007	(3 Groove Spline, Heavy Duty Dual Tapered, High Strength Durable Stud) (3 Groove Spline, Powdered Metal Gusher Brg. For Better Lubrication) (4 Groove Spline, Heavy Duty Dual Tapered, High Strength Durable Stud) (4 Groove Spline, Powdered Metal Gusher Brg. For Better Lubrication) Base Model, (3 Groove Spline, Heavy Duty Dual Tapered, High Strength Durable Stud) Base Model, (3 Groove Spline, Powdered Metal Gusher Brg. For Better Lubrication) Base Model, Pickup (4 Dr.) Crew Cab, (3 Groove Spline, Heavy Duty Dual Tapered, High Strength Durable Stud) Base Model, Pickup (4 Dr.) Crew Cab, (3 Groove Spline, Powdered Metal Gusher Brg. For Better Lubrication)		K6654HD ‡ K6654 ‡ K6536HD ‡ K6536 ‡ K6654HD ‡ K6654 ‡ K6654HD ‡ K6654 ‡	1 1 1 1 1 1 1 1 S002 S002 S002 S002 S002 S002 S002 S002
<b>Rack &amp; Pinion Boot Kit</b>				
2007	Two Wheel Drive (4x2)		K150270	2 S082
<b>Steering Damper Kit</b>				
2007	Four Wheel Drive (4X4), Except Original Equipment Steering Damper, (Super Trail Boss)	Front	SSD94	1
<b>Tie Rod End</b>				
2007	Conventional Power Steering, (Powdered Metal Gusher Brg. For Better Lubrication) Rack & Pinion Power, (Powdered Metal Gusher Brg. For Better Lubrication)	Outer Outer	ES3493T ‡ ES3492T ‡	2 2 S002 S082

# CHEVROLET TRUCK-10 Series - 1/2 Ton (Cont.)

## STEERING (Cont.)

Year	Model/Application	Part	P/C Qty	Figure
<b>Silverado Classic 1500</b>				
<b>Tie Rod End</b>				
2007 (Cont.)	Base Model, Hybrid, LS, LT, SS, WT (Work Truck), Rack & Pinion Power, (Full Ball Stud Provides 360 Degrees Of Smooth Rotation)	Inner <b>EV370 ‡</b>	2	S082
	Base Model, Hybrid, LS, LT, WT (Work Truck), Conventional Power Steering, (Design Of Enhanced Belleville Washer Optimizes Load And Provides Longer Fatigue Life)	Inner <b>ES3488 ‡</b>	2	S002
<b>Silverado Classic 1500HD</b>				
<b>Center Link</b>				
2007	30.5" Length, (Contains Inner Tie Rod Ends)	<b>DS300059A</b>	1	S002
	30.5" Length, (Has Hole For Steering Stabilizer)	<b>DS300011</b>	1	S002
<b>Idler Arm</b>				
2007	(Without Bracket, Heavy Duty Dual Tapered, High Strength Durable Stud)	<b>K6535HD ‡</b>	1	S002
	(Without Bracket, Powdered Metal Gusher Brg. For Better Lubrication)	<b>K6535 ‡</b>	1	S002
<b>Idler Arm Grease Hose Kit</b>				
2007	(Allows Easy Access To Idler Arm Grease Fitting)	<b>K6714 ‡</b>	1	
<b>Pitman Arm</b>				
2007	(3 Groove Spline, Heavy Duty Dual Tapered, High Strength Durable Stud)	<b>K6654HD ‡</b>	1	S002
	(3 Groove Spline, Powdered Metal Gusher Brg. For Better Lubrication)	<b>K6654 ‡</b>	1	S002
<b>Tie Rod End</b>				
2007	(Powdered Metal Gusher Brg. For Better Lubrication)	Outer <b>ES3609 ‡</b>	2	S002
	(Design Of Enhanced Belleville Washer Optimizes Load And Provides Longer Fatigue Life)	Inner <b>ES3488 ‡</b>	2	S002
<b>Suburban</b>				
<b>Tie Rod End</b>				
2018-2015	(Design Allows Ease Of Installation)	Outer <b>ES800948 ‡</b>	2	
	(Powdered Metal Gusher Brg. For Better Lubrication)	Inner <b>EV800938 ‡</b>	2	
2014	(Powdered Metal Gusher Brg. For Better Lubrication)	Outer <b>ES800223 ‡</b>	2	S110
<b>Suburban 1500</b>				
<b>Tie Rod End</b>				
2013-2007	(Powdered Metal Gusher Brg. For Better Lubrication)	Outer <b>ES800223 ‡</b>	2	S110
	(Powdered Metal Gusher Brg. For Better Lubrication)	Inner <b>EV800084 ‡</b>	2	S110

## REAR SUSPENSION

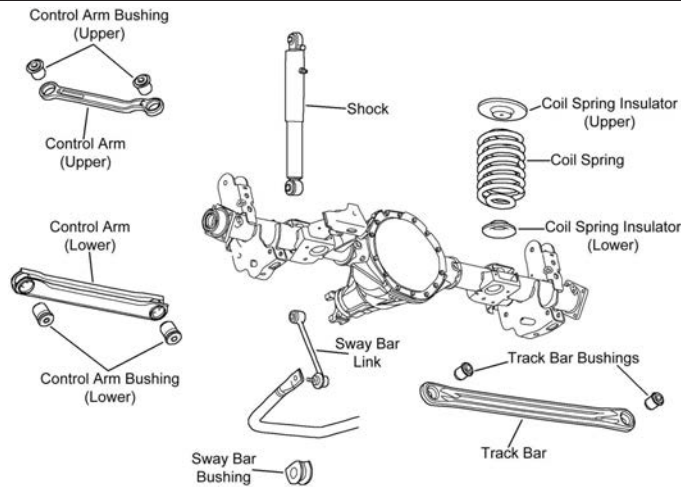


F131

F131

(Cont.) 10 Series - 1/2 Ton-CHEVROLET TRUCK

REAR SUSPENSION (Cont.)



R131

Year	Model/Application	Part	P/C Qty	Figure
<b>Express 1500</b>				
<b>Leaf Spring Shackle</b>				
2014-2003	(Contains Shackle, Nuts, Bolts & Bushing)	Rear	K150404	2
<b>Silverado 1500</b>				
<b>Leaf Spring Bushing</b>				
2013-2007		Front	K201266	2
<b>Leaf Spring Shackle</b>				
2013-2007			K150383	2
<b>Leaf Spring Shackle Bracket</b>				
2015	(Center Section Is Curved & Wide Lower Mounting Holes)	Rear	K150381	2
2014-2006		Rear	K150381	2
<b>Silverado Classic 1500</b>				
<b>Leaf Spring Shackle</b>				
2007			K150383	2
<b>Leaf Spring Shackle Bracket</b>				
2007		Rear	K150381	2
<b>Leaf Spring Shackle Bushing</b>				
2007		To Spring	K201216	2
<b>Silverado Classic 1500HD</b>				
<b>Leaf Spring Shackle</b>				
2007			K150383	2
<b>Leaf Spring Shackle Bushing</b>				
2007		To Spring	K201216	2
<b>Suburban</b>				
<b>Control Arm</b>				
2018-2014	(Arm Only, R-Series)	Upper	RK641866	2
2014	(R-Series)	Lower	RK641916	2
<b>Sway Bar Bushing</b>				
2018-2014	(Improved Design Bushing With Premium Rubber Material And Synthetic Fabric Lining Lasts Longer And Eliminates Noise)	To Frame	K201174 ‡	1
	(Standard Design)	To Frame	K6408	1
<b>Sway Bar Link</b>				
2018-2014	(Powdered Metal Gusher Brg. For Better Lubrication)		K6700 ‡	2
<b>Track Bar Bushing</b>				
2014			K201774	2
<b>Suburban 1500</b>				
<b>Control Arm</b>				
2013-2007	(Arm Only, R-Series)	Upper	RK641866	2
	(R-Series)	Lower	RK641916	2

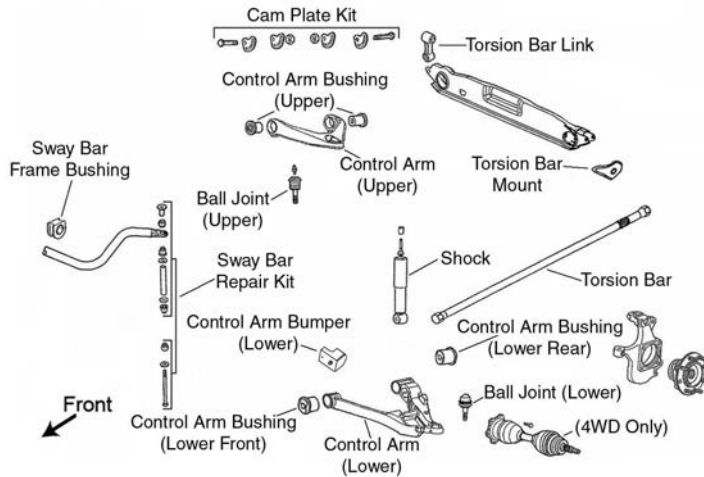
# CHEVROLET TRUCK-10 Series - 1/2 Ton (Cont.)

## REAR SUSPENSION (Cont.)

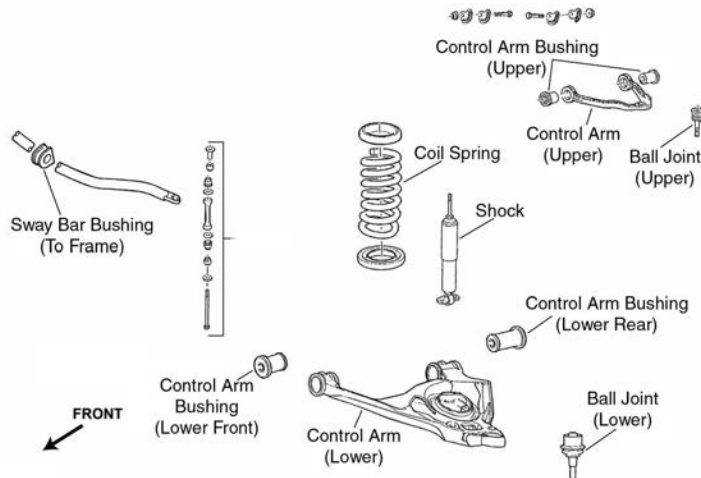
Year	Model/Application	Part	P/C Qty	Figure
<b>Suburban 1500</b>				
<b>Sway Bar Bushing</b>				
2013-2007	(Improved Design Bushing With Premium Rubber Material And Synthetic Fabric Lining Lasts Longer And Eliminates Noise) (Standard Design)	To Frame To Frame	1 1	R131 R131
<b>Sway Bar Link</b>				
2013-2007	(Powdered Metal Gusher Brg. For Better Lubrication)		2	R131
<b>Track Bar Bushing</b>				
2013-2007			2	F131

# CHEVROLET TRUCK-20 Series - 3/4 Ton

## FRONT SUSPENSION



F077



F261

Year	Model/Application	Part	P/C Qty	Figure
<b>Express 2500</b>				
<b>Ball Joint</b>				
2016-2015	(Powdered Metal Gusher Brg. For Better Lubrication)	Lower	2	F261
2014	8500 And 8600 Lb GVW, (Powdered Metal Gusher Brg. For Better Lubrication)	Lower	2	F261
2013-2006	(Powdered Metal Gusher Brg. For Better Lubrication)	Lower	2	F261
<b>Control Arm Bushing</b>				
2017	(Standard Design, Contains Front And Rear Bushings)	Upper	2	F261
2016-2014	294(4.8L), (Standard Design, Contains Front And Rear Bushings)	Upper	2	F261
	365(6.0L), (Standard Design, Contains Front And Rear Bushings)	Upper	2	F261
2013-2006	(Standard Design, Contains Front And Rear Bushings)	Upper	2	F261