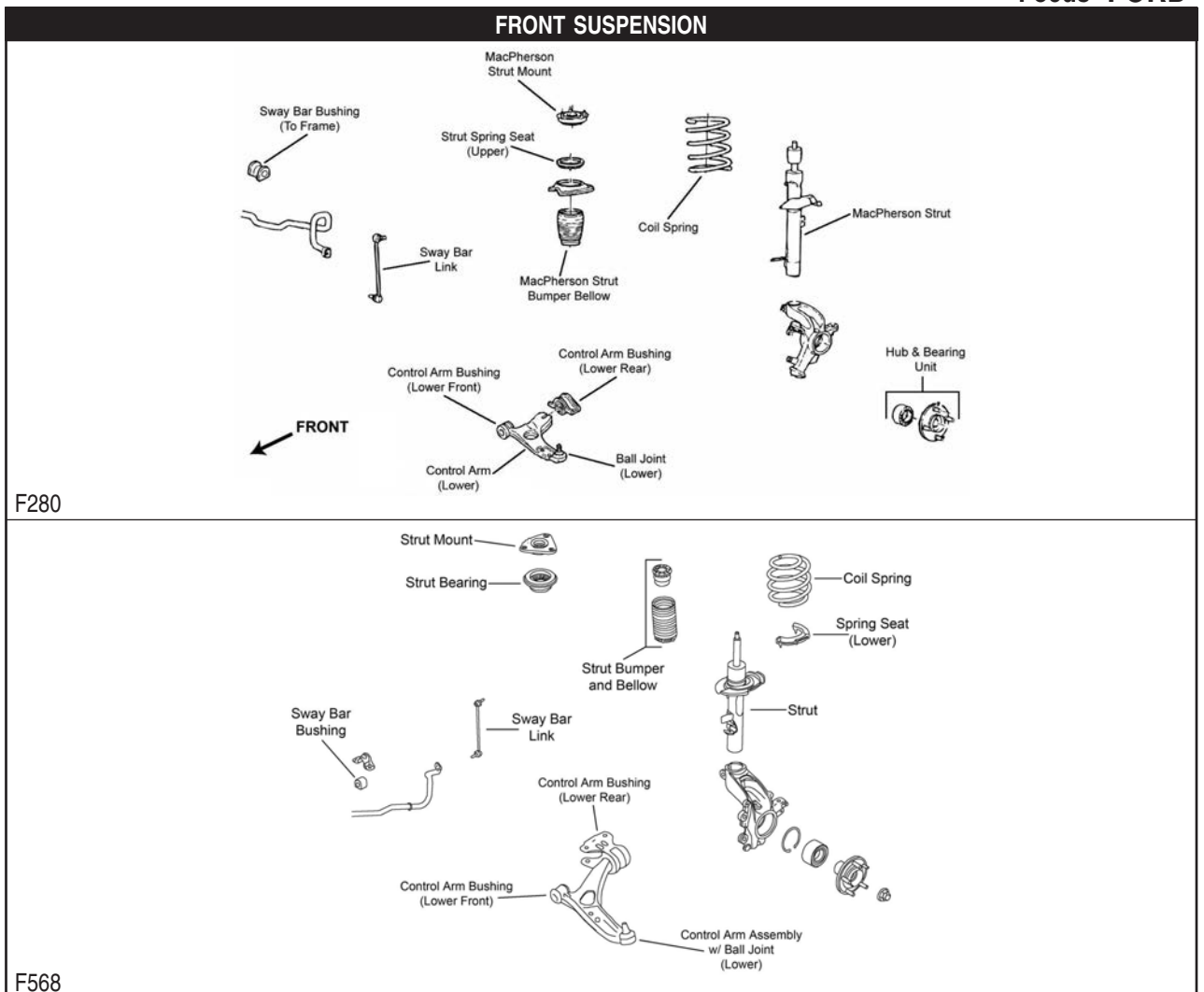


REAR SUSPENSION (Cont.)				
Year	Model/Application	Part	P/C Qty	Figure
Strut Mount				
2007-2005 (Cont.)	Front Wheel Drive, (Bearing Not Included, Superior Rubber To Steel Bonding For Durability)	Left	K160202 ‡	1
	Front Wheel Drive, (Bearing Not Included, Superior Rubber To Steel Bonding For Durability)	Right	K160201 ‡	1
Sway Bar Link				
2007-2005	(Powdered Metal Gusher Brg. For Better Lubrication)		K750018 ‡	2
Track Bar Bushing				
2007-2005			K201353	4
Trailing Link Bushing				
2007-2005	All Wheel Drive Front Wheel Drive	Arm To Knuckle To Frame	K201369	2
			K201293	2
			K201435	2
Wheel Hub & Bearing Assembly				
2007-2005	All Wheel Drive Front Wheel Drive		512300	2
			512299	2

Focus-FORD



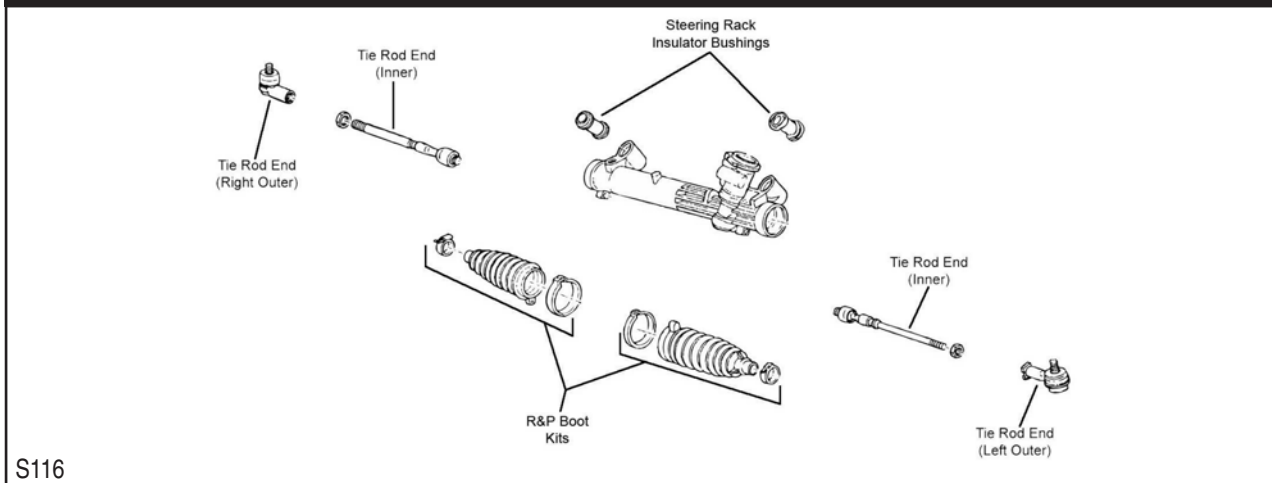
Year	Model/Application	Part	P/C Qty	Figure
Ball Joint				
2011-2005	(Powdered Metal Gusher Brg. For Better Lubrication)	Lower	K80992 ‡	2 F280
Control Arm Bushing				
2017-2012		Lower Front	K201191	2 F568
2011-2008	Except European Built	Lower Rear	K200067	2 F280

FORD-Focus (Cont.)

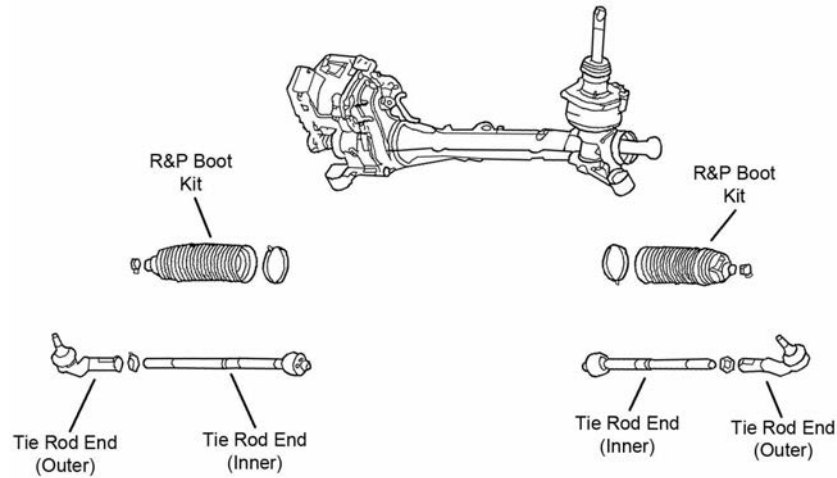
FRONT SUSPENSION (Cont.)

Year	Model/Application	Part	P/C Qty	Figure
Control Arm Bushing				
2011-2000		Lower Front	K200066	2 F280
2007-2000		Lower Rear	K200067	2 F280
Control Arm with Ball Joint				
2017-2016	Electric, S, SE, SFE, Titanium, Except 15" Wheels, (R-Series) Electric, S, SE, SFE, Titanium, Except 15" Wheels, (R-Series)	Left Lower	RK622788	1 F568
		Right Lower	RK622753	1 F568
2015	Electric, S, SE, SE Sport, SFE, Titanium, Except 15" Wheels, (R-Series) Electric, S, SE, SE Sport, SFE, Titanium, Except 15" Wheels, (R-Series)	Left Lower	RK622788	1 F568
		Right Lower	RK622753	1 F568
2014-2012	Except 15" Wheels, (R-Series) Except 15" Wheels, (R-Series)	Left Lower	RK622788	1 F568
		Right Lower	RK622753	1 F568
2011-2005	(R-Series) (R-Series)	Left Lower	RK80408	1 F280
		Right Lower	RK80407	1 F280
Complete Knuckle Assembly				
2011-2006	(Contains Snap Ring, Bearing, Knuckle, Hub Assembly And Axle Nut) (Contains Snap Ring, Bearing, Knuckle, Hub Assembly And Axle Nut)	Left	LK003 ‡	1 F280
		Right	LK004 ‡	1 F280
Strut and Spring Assembly				
2011-2008		Left	ST8686L	1 F280
		Right	ST8686R	1 F280
2007-2006		Left	ST8669L	1 F280
		Right	ST8669R	1 F280
Strut Bumper Bellows				
2017-2012	(Replacement Type, Contains Bumper)		K90460	2 F568
2011-2008	(Design Allows Ease Of Installation)		K160285 ‡	2 F280
2007-2000	(Replacement Type, Contains Bumper)		K90460	2 F280
Strut Mount				
2017-2012	(Contains Bearing, Contains Spacer)		K160407	2 F568
2011-2008	(Contains Bearing, Superior Rubber To Steel Bonding For Durability)		K160205 ‡	2 F280
2007	(Contains Bearing)		K80031	2 F280
Strut Spring Seat				
2007-2000		Upper	K160020	2 F280
Sway Bar Bushing				
2007-2004	Vehicles Equipped With Rear Sway Bar	To Frame	K80150	1 F280
2007-2000	Except Vehicles Equipped With Rear Sway Bar	To Frame	K80151	1 F280
Sway Bar Link				
2017-2015			K750789	2 F568
2014-2012	(Greaseable Socket Reduces Corrosion/Wear)		K750554 ‡	2 F568
2011	10.70" Length, (Greaseable Socket Reduces Corrosion/Wear)		K750562 ‡	2 F280
2011-2000	10.50" Length, (Powdered Metal Gusher Brg. For Better Lubrication)		K80066 ‡	2 F280
Wheel Hub Repair Kit				
2011-2000			518510	2

STEERING



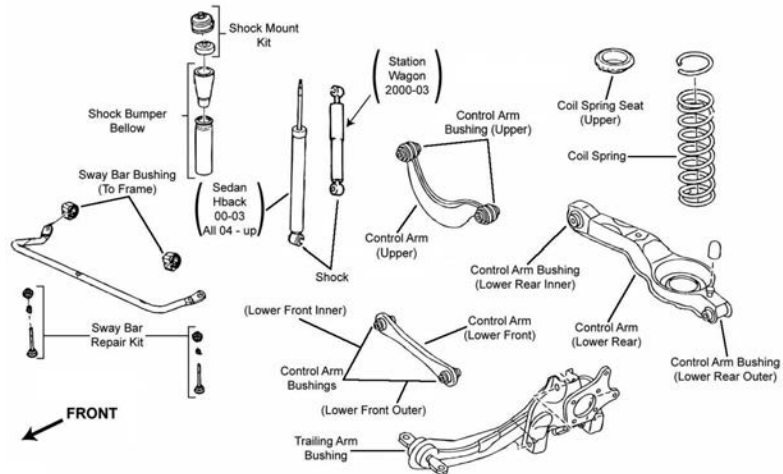
STEERING (Cont.)



S346

Year	Model/Application	Part	P/C Qty	Figure	
Tie Rod End					
2017-2014	(Design Allows Ease Of Installation) (Design Allows Ease Of Installation)	Left Outer	ES800955 ‡	1	S346
		Right Outer	ES800954 ‡	1	S346
2017-2012	(Design Allows Ease Of Installation)	Inner	EV800898 ‡	2	S346
2013	Naturally Aspirated, (Design Allows Ease Of Installation) Naturally Aspirated, (Design Allows Ease Of Installation)	Left Outer	ES800955 ‡	1	S346
		Right Outer	ES800954 ‡	1	S346
2012	(Design Allows Ease Of Installation) (Design Allows Ease Of Installation)	Left Outer	ES800955 ‡	1	S346
		Right Outer	ES800954 ‡	1	S346
2011-2009	Except Variable Steering, (Full Ball Stud Provides 360 Degrees Of Smooth Rotation) Variable Steering, (MOOG Engineered Steel Composition Enhances Strength)	Inner	EV800571 ‡	2	S116
		Inner	EV800780 ‡	2	S116
2011-2008	(Powdered Metal Gusher Brg. For Better Lubrication) (Powdered Metal Gusher Brg. For Better Lubrication)	Left Outer	ES800304 ‡	1	S116
		Right Outer	ES800305 ‡	1	S116
2008-2007	(Full Ball Stud Provides 360 Degrees Of Smooth Rotation)	Inner	EV80632 ‡	2	S116
2007	(Powdered Metal Gusher Brg. For Better Lubrication)	Outer	ES80580 ‡	2	S116

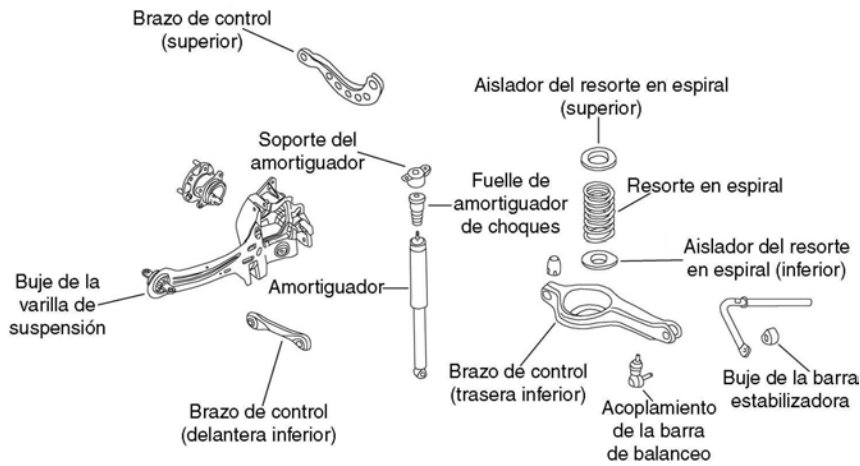
REAR SUSPENSION



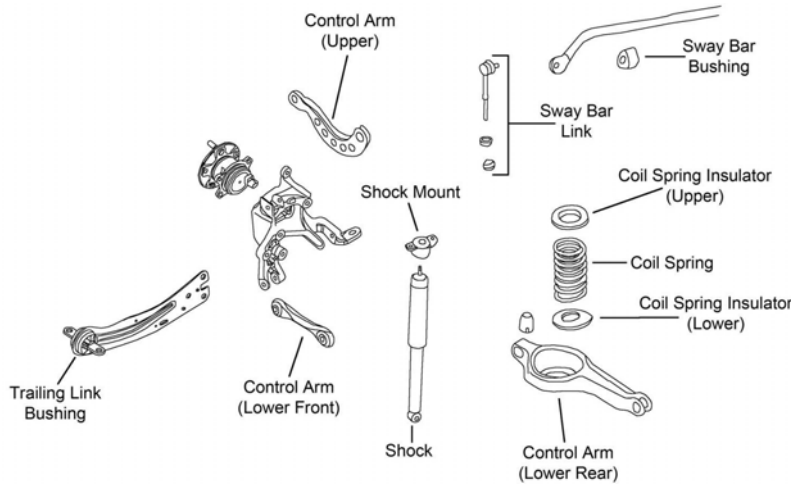
R030

FORD-Focus (Cont.)

REAR SUSPENSION (Cont.)



R202



R203

Year	Model/Application	Part	P/C Qty	Figure	
Control Arm					
2017-2016	(R-Series) Electric, S, SE, SFE, ST, Titanium, (Straight Arm, Lateral Link) Electric, S, SE, SFE, ST, Titanium, (Straight Arm, Lateral Link, R-Series)	Upper	RK643062	2	R202, R203
		Lower Front	CK660012	2	
		Lower Front	RK660012	2	
2017-2013	(R-Series) Up To Minus 1-1/2 To Plus 5 Degrees Camber, (Lateral Link, R-Series)	Upper	RK643062	2	R202, R203
		Upper	RK100002	2	R202, R203
2015-2012	(Straight Arm, Lateral Link) (Straight Arm, Lateral Link, R-Series)	Lower Front	CK660012	2	R202, R203
		Lower Front	RK660012	2	R202, R203
2012	Up To Minus 1-1/2 To Plus 5 Degrees Camber, (Lateral Link, R-Series)	Upper	RK100002	2	R202
2012-2000	(R-Series)	Upper	RK643062	2	R202
2011-2007	(Straight Arm, Lateral Link) (Straight Arm, Lateral Link, R-Series)	Lower Front	CK660012	2	R030
		Lower Front	RK660012	2	R030
2011-2000	(Arm Only, R-Series) Up To Minus 1-1/2 To Plus 5 Degrees Camber, (Lateral Link, R-Series)	Lower Rear	RK641244	2	R030
		Upper	RK100002	2	R030
Control Arm Bushing					
2017	61(1.0L)	Lower Rear Inner	K201687	2	R203
2017-2016	RS	Upper	K201641	2	
2017-2013	ST 121(2.0L), Naturally Aspirated 121(2.0L), Naturally Aspirated	Upper	K201641	2	R203
		Lower Rear Inner	K201687	2	R202
		Lower Rear Outer	K201688	2	R202
2017-2012	Electric	Upper	K201641	2	R202
2012	121(2.0L), Naturally Aspirated, From 4/4/12 121(2.0L), Naturally Aspirated, From 4/4/12	Lower Rear Inner	K201687	2	R202
		Lower Rear Outer	K201688	2	R202
Strut Mounting Kit					
2007	3 Dr. Hatchback, 4 Dr. Sedan, 5 Dr. Hatchback, (Contains OEM Style Bumper, Dust Cover, And Upper Cap, Super Kit)		K80051	2	R030

REAR SUSPENSION (Cont.)				
Year	Model/Application	Part	P/C Qty	Figure
Sway Bar Bushing				
2011-2008	Except Performance Package Performance Package	To Frame To Frame	K201366 K80152	1 1 R030
2007-2000	18mm Sway Bar Diameter	To Frame	K80152	1 R030
Sway Bar Link				
2017	Electric, S, Titanium, (Improves Upon OE Design)		K750465 ‡	2 R202
2017-2016	Naturally Aspirated, SE, (Improves Upon OE Design)		K750465 ‡	2 R202
2017-2013	ST, (Greaseable Socket Reduces Corrosion/Wear)		K750748 ‡	2 R203
2016	Electric, S, SE, SFE, Titanium, (Improves Upon OE Design)		K750465 ‡	2 R202
2015	Electric, S, SE, SE Sport, SFE, Titanium, (Improves Upon OE Design)		K750465 ‡	2 R202
2014	Electric, S, SE, Titanium, (Improves Upon OE Design)		K750465 ‡	2 R202
2013	S, SE, Titanium, (Improves Upon OE Design)		K750465 ‡	2 R202
2012	Electric, S, SE, SEL, SFE, Titanium, (Improves Upon OE Design)		K750465 ‡	2 R202
Sway Bar Repair Kit				
2011-2005	(Includes Polyurethane Bushings And Solid Metal Sleeve For Enhanced Performance. Barrel Nut Allows For Easier Installation.)		K700525 ‡	2 R030
Trailing Link Bushing				
2014-2013	S, SE, ST, Titanium		K200064	2 R202, R203
2012	S, SE, SEL, SFE, Titanium		K200064	2 R202
2011-2000			K200064	2 R030
Wheel Hub & Bearing Assembly				
2017	121(2.0L), Naturally Aspirated, Except Automated Parking System 1999cc(2.0L), Turbocharged/Intercooled, Except Automated Parking System		512466 512466	2 2
2017-2016	121(2.0L), Naturally Aspirated, Active Park Assist 138(2.3L), Twin Scroll Turbocharged/intercooled		512465 512591	2 2
2017-2013	Electric		512599	2
2016	61(1.0L), Turbocharged, Active Park Assist 61(1.0L), Turbocharged, Except Active Park Assist 121(2.0L), Naturally Aspirated, Except Active Park Assist 1999cc(2.0L), Turbocharged/Intercooled, Active Park Assist 1999cc(2.0L), Turbocharged/Intercooled, Except Active Park Assist		512465 512466 512466 512465 512466	2 2 2 2 2
2015-2013	Flex Fuel, Active Park Assist Flex Fuel, Except Active Park Assist Gasoline, Active Park Assist Gasoline, Except Active Park Assist		512465 512466 512465 512466	2 2 2 2
2012	Active Park Assist Except Active Park Assist		512465 512466	2 2
Wheel Hub Repair Kit				
2007-2001	Rear Disc, 4 Wheel ABS		521002	2

Fusion-FORD

