

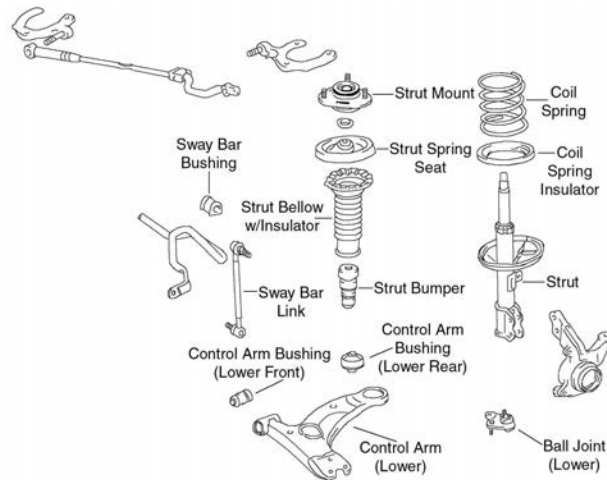
TOYOTA-Camry (Cont.)

REAR SUSPENSION (Cont.)

Year	Model/Application	Part	P/C Qty	Figure
Control Arm				
2017-2015	(Adjustable, R-Series) 2494cc(2.5L), (Adjustable, R-Series)	Left Rear Lower Right Rear Lower	RK643058 RK643058	1 1
2016	Hybrid LE, Hybrid XLE, LE, XLE, (R-Series) Hybrid SE, SE, SE Special Edition, XSE, (R-Series)	Lower Front Lower Front	RK642986 RK642840	2 2
2015	Hybrid SE, SE, XSE, (R-Series)	Lower Front	RK642840	2
2015-2012	Hybrid LE, Hybrid XLE, L, LE, XLE, (R-Series)	Lower Front	RK642986	2
2014	Hybrid SE, SE, (R-Series)	Lower Front	RK642840	2
2014-2012	(Adjustable, R-Series)	Lower Rear	RK643058	2
2013-2012	SE, (R-Series)	Lower Front	RK642840	2
2011-2007	(Non-Adjustable, R-Series) Japan Built, (Adjustable, R-Series) Japan Built, (R-Series) USA Built, (Adjustable, R-Series)	Lower Front Left Rear Lower Right Rear Lower Lower Rear	RK642027 RK642299 RK641864 RK641864	2 1 1 2
Strut and Spring Assembly				
2011-2007		Left Right	ST8625L ST8625R	1 1
Strut Bumper Bellows				
2011-2002	(Replacement Type, Contains Bumper)		K90460	2
Sway Bar Bushing				
2011-2010	Base Model, LE, SE, XLE, USA Built, (Reduces Noise)	To Frame	K200751 ‡	1
2009-2008	Base Model, LE, SE, XLE, (Reduces Noise)	To Frame	K200751 ‡	1
2007	CE, LE, SE, XLE, (Reduces Noise)	To Frame	K200751 ‡	1
Sway Bar Link				
2017-2012	(Powdered Metal Gusher Brg. For Better Lubrication)		K90345 ‡	2
2011-2007	(Powdered Metal Gusher Brg. For Better Lubrication)		K750011 ‡	2
Trailing Link				
2017-2012	(R-Series)		RK642958	2
2011-2007	Japan Built, (R-Series) USA Built, (R-Series)		RK641472 RK641934	2 2
Wheel Hub & Bearing Assembly				
2017-2012		Left Right	512454 512455	1 1
2011-2006		Left Right	512206 512207	1 1

TOYOTA-Corolla

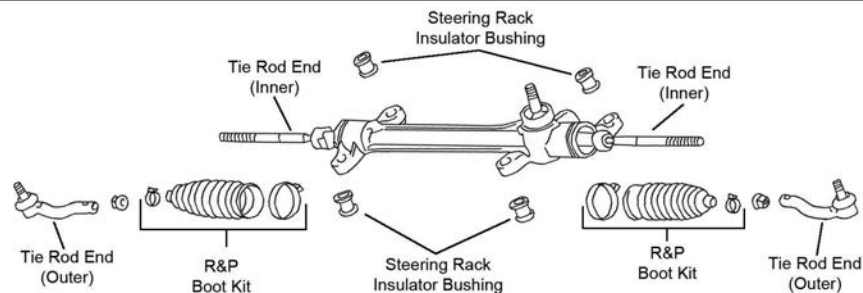
FRONT SUSPENSION



F423

Year	Model/Application	Part	P/C Qty	Figure
Ball Joint				
2019	4 Dr. Sedan 5 Dr. Hatchback, (Full Ball Stud Provides 360 Degrees Of Smooth Rotation)	Lower Lower	K500040 K90309 ‡	2 2

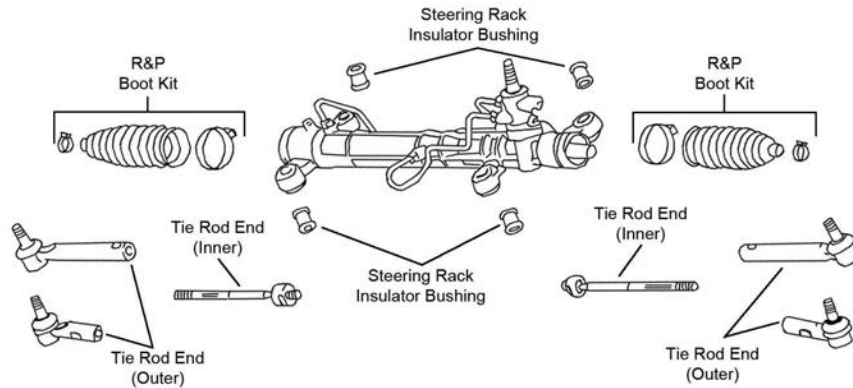
FRONT SUSPENSION (Cont.)				
Year	Model/Application	Part	P/C Qty	Figure
Ball Joint				
2018-2009		Lower	K500040	2 F423
2008-2003	(Full Ball Stud Provides 360 Degrees Of Smooth Rotation)	Lower	K90309 ‡	2 F423
Control Arm				
2013-2009	(R-Series) USA Built, (R-Series)	Right Lower Left Lower	RK641277 RK641278	1 1 F423
2013-2008	Japan Built, (R-Series) Japan Built, (R-Series)	Left Lower Right Lower	RK640361 RK640360	1 1 F423
2007-2003	Except Japan Built, (R-Series) Except Japan Built, (R-Series)	Left Lower Right Lower	RK640361 RK640360	1 1 F423
Control Arm Bushing				
2012-2003	(Horizontal Mount, High Quality Elastomer For Durability And Performance) (Vertical Mount)	Lower Front Inner Lower Rear Inner	K200782 ‡ K200907	2 2 F423
Strut and Spring Assembly				
2008-2003		Left Right	ST8629L ST8629R	1 1 F423
Strut Bumper Bellows				
2018-2014	(Original Equipment Type) (Replacement Type, Contains Bumper)		K201416 K90460	2 2 F423
2013-2003	(Contains Bumper)		K90461	2 F423
Strut Mount				
2018-2014	(Contains Bearing, Superior Rubber To Steel Bonding For Durability)		K160264 ‡	2 F423
2013-2009	10mm Bolts, USA Built, (Contains Bearing, Superior Rubber To Steel Bonding For Durability) 8mm Bolts, Japan Built, (Contains Bearing)		K160264 ‡ K90330	2 2 F423
2008-2003	(Contains Bearing)		K90330	2 F423
Strut Spring Seat				
2013-2009	(Contains Insulator)	Upper	K160376	2 F423
2013-2003	(Insulator Only, Reduces Noise)	Lower	K160143 ‡	2 F423
2008-2003	(Contains Isolators, Requires Bumper Bellow)	Upper	K160259 ‡	2 F423
Sway Bar Bushing				
2019	4 Dr. Sedan, (Split Design For Easier Installation)	To Frame	K200146 ‡	1 F423
2018-2003	(Split Design For Easier Installation)	To Frame	K200146 ‡	1 F423
Sway Bar Link				
2019	4 Dr. Sedan, (Full Ball Stud Provides 360 Degrees Of Smooth Rotation) 5 Dr. Hatchback		K80230 ‡ K750864 ‡	2 2 F423
2018-2003	(Full Ball Stud Provides 360 Degrees Of Smooth Rotation)		K80230 ‡	2 F423
Wheel Hub & Bearing Assembly				
2019	5 Dr. Hatchback		513402	2

STEERING

S190

TOYOTA-Corolla (Cont.)

STEERING (Cont.)



S191

Year	Model/Application	Part	P/C Qty	Figure
Rack & Pinion Boot Kit				
2013-2009	(Design Allows Ease Of Installation)	K150272 ‡	2	S191
2008-2003	(Design Allows Ease Of Installation)	K150272 ‡	2	S190
Tie Rod End				
2019	4 Dr. Sedan, 5.62" Length, 5.62" Length, (Powdered Metal Gusher Brg. For Better Lubrication)	Outer ES800525 ‡	2	S191
2018	5.62" Length, 5.62" Length, (Powdered Metal Gusher Brg. For Better Lubrication)	Outer ES800525 ‡	2	S191
2017-2014	5.62" Length, (Powdered Metal Gusher Brg. For Better Lubrication)	Outer ES800525 ‡	2	S191
2013-2009	Japan Built - 1st Digit Of VIN J, 6.9" Length, (Design Allows Ease Of Installation) North American Built - 1st Digit Of VIN 1, 2, 4 Or 5, 5.62" Length, (Powdered Metal Gusher Brg. For Better Lubrication) 1798cc(1.8L), North American Built - 1st Digit Of VIN 1, 2, 4 Or 5	Outer ES800530 ‡	2	S191
		Outer ES800525 ‡ Inner EV801193 ‡	2 2	S191 S191
2008-2003	(Full Ball Stud Provides 360 Degrees Of Smooth Rotation)	Left Outer ES80432	1	S190
		Right Outer ES80431	1	S190
		Inner EV470 ‡	2	S190

REAR SUSPENSION

Year	Model/Application	Part	P/C Qty	Figure
Strut and Spring Assembly				
2008-2003		Left ST8645L	1	
		Right ST8645R	1	
Strut Bumper Bellows				
2018-2003	(Design Allows Ease Of Installation)	K160285 ‡	2	
Strut Mounting Kit				
2018-2003		K160392	2	
Wheel Hub & Bearing Assembly				
2019	4 Dr. Sedan 5 Dr. Hatchback	512403	2	
		512547	2	
2018-2009		512403	2	
2008-2003	4 Wheel ABS Non ABS	512217	2	
		512218	2	

TOYOTA-Corolla iM

FRONT SUSPENSION

Year	Model/Application	Part	P/C Qty	Figure
Ball Joint				
2018		Lower K500040	2	
2017	(Design Allows Ease Of Installation)	Lower K500062 ‡	2	
Control Arm				
2017	(R-Series) (R-Series)	Left Lower RK641289	1	
		Right Lower RK641288	1	
Strut Bumper Bellows				
2017	(Replacement Type, Contains Bumper)	K90460	2	
Strut Mount				
2017	(Contains Bearing, Superior Rubber To Steel Bonding For Durability)	K160265 ‡	2	

FRONT SUSPENSION (Cont.)				
Year	Model/Application	Part	P/C Qty	Figure
Sway Bar Bushing				
2018	(Split Design For Easier Installation)	To Frame	K200146 ‡	1
Sway Bar Link				
2018	(Full Ball Stud Provides 360 Degrees Of Smooth Rotation)		K80230 ‡	2
2017	(Full Ball Stud Provides 360 Degrees Of Smooth Rotation)		K750043 ‡	2
STEERING				
Year	Model/Application	Part	P/C Qty	Figure
Tie Rod End				
2018	5.62" Length, (Powdered Metal Gusher Brg. For Better Lubrication)	Outer	ES800525 ‡	2
2017	(Design Allows Ease Of Installation) (Design Allows Ease Of Installation)	Left Outer	ES800485 ‡	1
		Right Outer	ES800341 ‡	1
REAR SUSPENSION				
Year	Model/Application	Part	P/C Qty	Figure
Control Arm				
2017	Plus Or Minus 2 Degree Camber, (Adjustable, R-Series)	Upper	RK100358	2
Shock Mount				
2017			K201681	2
Sway Bar Bushing				
2017		To Frame	K201553	1
Sway Bar Link				
2017	(Improves Upon OE Design)		K750522 ‡	2
Wheel Hub & Bearing Assembly				
2018-2017			512403	2

Matrix-TOYOTA

FRONT SUSPENSION				
F423				
Year	Model/Application	Part	P/C Qty	Figure
Ball Joint				
2013-2009	1798cc(1.8L) 2362cc(2.4L), (Greaseable Socket Reduces Corrosion/Wear)	Lower	K500040	2
		Lower	K500174 ‡	2
2008-2003		Lower	K80595	2
Control Arm				
2014-2009	(R-Series) (R-Series)	Left Lower	RK641278	1
		Right Lower	RK641277	1
2008-2003	(Ball Joint Not Included, R-Series) (Ball Joint Not Included, R-Series)	Left Lower	RK640361	1
		Right Lower	RK640360	1
Control Arm Bushing				
2014-2009	(High Quality Elastomer For Durability And Performance)	Lower Front	K200782 ‡	2
2014-2008	(Vertical Mount)	Lower Rear	K200907	2