

(Cont.) Colorado-CHEVROLET TRUCK

STEERING (Cont.)					
Year	Model/Application	Part	P/C Qty	Figure	
Tie Rod End					
2007	(14mm Threads On Adjusting End, Powdered Metal Gusher Brg. For Better Lubrication)	Outer	ES80761 ‡	2	S146
	(16mm Threads On Adjusting End, Powdered Metal Gusher Brg. For Better Lubrication)	Outer	ES800464 ‡	2	S146
	Sport Suspension ZQ8, (14mm Threads On Adjusting End, Greaseable Socket Reduces Corrosion/Wear)	Outer	ES800643 ‡	2	S146
	Four Wheel Drive (4X4), (14mm Threads On Adjusting End, 16mm Thread At Steering Gear, Powdered Metal Gusher Brg. For Better Lubrication)	Inner	EV800557 ‡	2	S146
	Four Wheel Drive (4X4), (16mm Threads On Adjusting End, Powdered Metal Gusher Brg. For Better Lubrication)	Inner	EV800300 ‡	2	S146
	Two Wheel Drive (4x2), Except Z71 Off Road, (14mm Threads On Adjusting End, 16mm Thread At Steering Gear, Full Ball Stud Provides 360 Degrees Of Smooth Rotation)	Inner	EV800556 ‡	2	S146
	Two Wheel Drive (4x2), Z71 Offroad Package, (14mm Threads On Adjusting End, 16mm Thread At Steering Gear, Powdered Metal Gusher Brg. For Better Lubrication)	Inner	EV800557 ‡	2	S146
	Two Wheel Drive (4x2), Z71 Offroad Package, (16mm Threads On Adjusting End, Powdered Metal Gusher Brg. For Better Lubrication)	Inner	EV800300 ‡	2	S146
REAR SUSPENSION					
Year	Model/Application	Part	P/C Qty	Figure	
Leaf Spring Shackle Bushing					
2009-2007	(Design Allows Ease Of Installation)	To Frame	K200802 ‡	2	
Sway Bar Bushing					
2011-2007		To Frame	K201294	1	
Sway Bar Link					
2012	Sport Suspension ZQ8, (Powdered Metal Gusher Brg. For Better Lubrication)		K80611 ‡	2	
2011-2007	(Powdered Metal Gusher Brg. For Better Lubrication)		K80611 ‡	2	

Equinox-CHEVROLET TRUCK

FRONT SUSPENSION					
F424					
Year	Model/Application	Part	P/C Qty	Figure	
Ball Joint					
2017-2010	(Design Allows Ease Of Installation)	Lower	K500227 ‡	2	F424
2009-2007	(Bolt On Type, Powdered Metal Gusher Brg. For Better Lubrication)	Lower	K5331 ‡	2	F424
Control Arm Bushing					
2017-2010		Lower Front	K201698	2	F424
2017-2007	(High Quality Elastomer For Durability And Performance)	Lower Rear	K200784 ‡	2	F424
2009-2008	207(3.4L), (High Quality Elastomer For Durability And Performance)	Lower Front	K200783 ‡	2	F424
2007	(High Quality Elastomer For Durability And Performance)	Lower Front	K200783 ‡	2	F424
Control Arm with Ball Joint					
2009-2008	207(3.4L), (Contains Bushings, R-Series)	Left Lower	RK621129	1	F424
	207(3.4L), (Contains Bushings, R-Series)	Right Lower	RK621136	1	F424
2007	(Contains Bushings, R-Series)	Left Lower	RK621129	1	F424
	(Contains Bushings, R-Series)	Right Lower	RK621136	1	F424
Strut Bumper Bellows					
2017-2007	(Contains Bumper)		K90461	2	F424

CHEVROLET TRUCK-Equinox (Cont.)

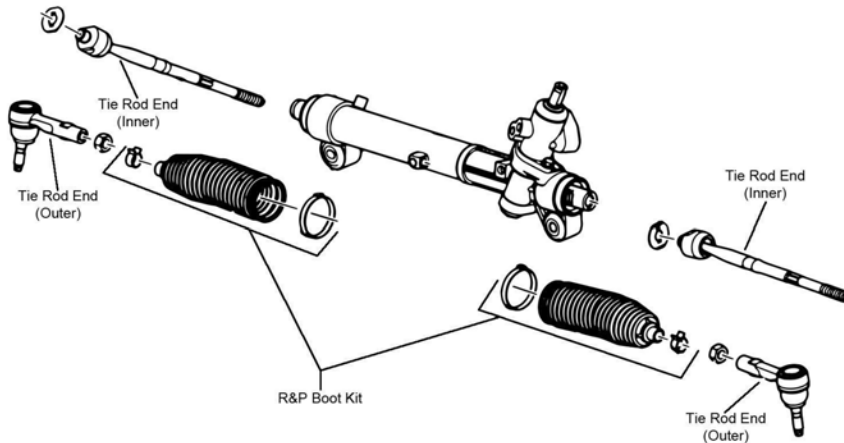
FRONT SUSPENSION (Cont.)

Year	Model/Application	Part	P/C Qty	Figure
Strut Mount				
2017-2007	(Contains Bearing, Contains Upper Spring Seat)	K160333	2	F424
Strut Spring Seat				
2017-2007	(Insulator Only)	Lower K160355	2	F424
Sway Bar Bushing				
2017-2010	(Reduces Noise)	To Frame K200334 ‡	1	F424
2009-2007	(Reduces Noise)	To Frame K200333 ‡	1	F424
Sway Bar Link				
2017-2010	(Powdered Metal Gusher Brg. For Better Lubrication)	Left K750188 ‡	1	F424
		Right K750189 ‡	1	F424
2009-2008	207(3.4L), (Full Ball Stud Provides 360 Degrees Of Smooth Rotation) 207(3.4L), (Full Ball Stud Provides 360 Degrees Of Smooth Rotation) 217(3.6L), (Powdered Metal Gusher Brg. For Better Lubrication) 217(3.6L), (Powdered Metal Gusher Brg. For Better Lubrication)	Left K80461 ‡	1	F424
		Right K80460 ‡	1	F424
		Left K750188 ‡	1	F424
		Right K750189 ‡	1	F424
2007	(Full Ball Stud Provides 360 Degrees Of Smooth Rotation) (Full Ball Stud Provides 360 Degrees Of Smooth Rotation)	Left K80461 ‡	1	F424
		Right K80460 ‡	1	F424

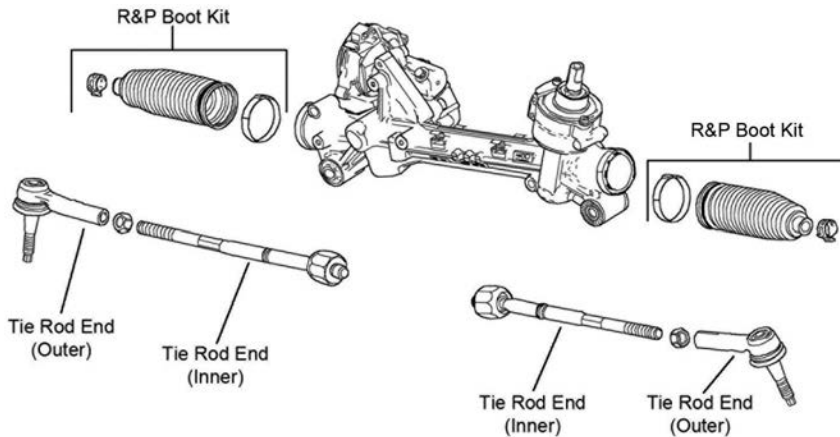
Wheel Hub & Bearing Assembly

2017-2010		513288	2	
2009-2007		513276	2	

STEERING



S143



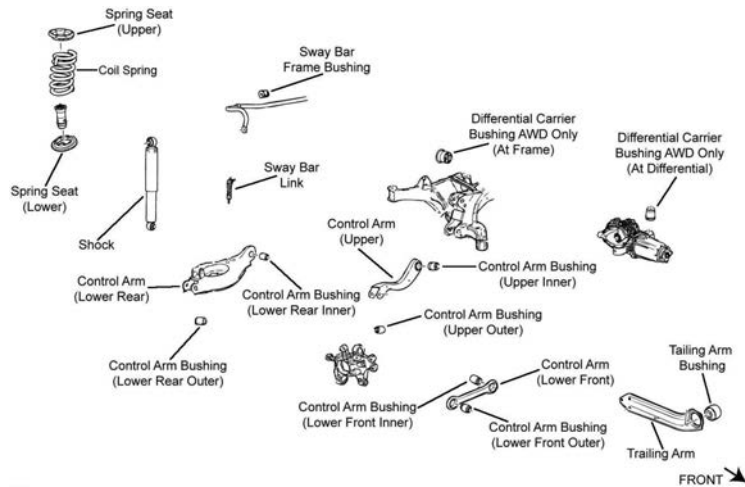
S197

Year	Model/Application	Part	P/C Qty	Figure
Tie Rod End				
2017-2010	(Greaseable Socket Reduces Corrosion/Wear) 4 Cyl, (MOOG Engineered Steel Composition Enhances Strength) V6 Cyl	Outer ES800640 ‡	2	S143, S197
		Inner EV800648 ‡	2	S197
		Inner EV801158	2	S143
2009-2008	207(3.4L), (Full Ball Stud Provides 360 Degrees Of Smooth Rotation) 217(3.6L), (Full Ball Stud Provides 360 Degrees Of Smooth Rotation)	Inner EV80443 ‡	2	S143
		Inner EV800330 ‡	2	S143

STEERING (Cont.)

Year	Model/Application	Part	P/C Qty	Figure
Tie Rod End				
2009-2006	(Powdered Metal Gusher Brg. For Better Lubrication)	Outer	ES800030 ‡	2 S143
2007-2006	(Full Ball Stud Provides 360 Degrees Of Smooth Rotation)	Inner	EV80781 ‡	2 S143

REAR SUSPENSION



R041

Year	Model/Application	Part	P/C Qty	Figure
Control Arm				
2017-2016	(R-Series)	Left Rear Lower	RK641647	1 R041
	(R-Series)	Right Rear Lower	RK641648	1 R041
2017-2013	(R-Series)	Upper	RK643002	2 R041
2017-2010	(R-Series)	Lower Front	RK642089	2 R041
2015-2007	(Arm Only, R-Series)	Left Rear Lower	RK641647	1 R041
	(Arm Only, R-Series)	Right Rear Lower	RK641648	1 R041
2012-2007	(R-Series)	Upper	RK642154	2 R041
2009-2008	FE2 Ride And Handling Suspension, (R-Series)	Lower Front	RK642089	2 R041
2007	(R-Series)	Lower Front	RK642089	2 R041
Control Arm Bushing				
2017-2010		Lower Rear Inner	K201726	2 R041
Knuckle Bushing				
2017-2007		Upper	K201282	1 R041
2015-2007		Lower Rear	K201283	2 R041
Strut Spring Seat				
2009-2007	(Reduces Noise)		K160073 ‡	2 R041
Sway Bar Bushing				
2017-2010	(Reduces Noise)	To Frame	K200338 ‡	1 R041
2009-2008	207(3.4L), (Reduces Noise)	To Frame	K200335 ‡	1 R041
	217(3.6L), (Reduces Noise)	To Frame	K200337 ‡	1 R041
2007	(Reduces Noise)	To Frame	K200335 ‡	1 R041
Sway Bar Link				
2017-2010	(Greaseable Socket Reduces Corrosion/Wear)		K750427 ‡	2 R041
2009-2008	207(3.4L), (Powdered Metal Gusher Brg. For Better Lubrication)		K750200 ‡	2 R041
	217(3.6L), (Link And Bushing Kit, Greaseable Socket Reduces Corrosion/Wear)		K750427 ‡	2 R041
2007	(Powdered Metal Gusher Brg. For Better Lubrication)		K750200 ‡	2 R041
Trailing Link				
2017-2010		Left	RK643084	1 R041
		Right	RK643083	1 R041
2009-2007		Left	RK643069	1 R041
		Right	RK643070	1 R041
Trailing Link Bushing				
2017-2010			K201275	2 R041
2009-2007			K201302	2 R041

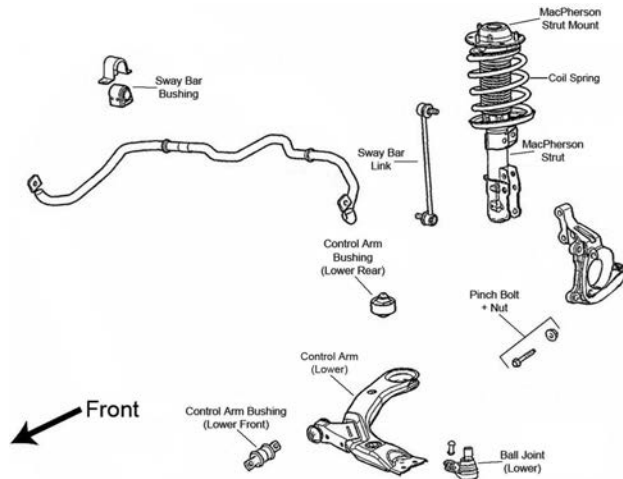
CHEVROLET TRUCK–Equinox (Cont.)

REAR SUSPENSION (Cont.)

Year	Model/Application	Part	P/C Qty	Figure
Wheel Hub & Bearing Assembly				
2017-2010		512440	2	
2009-2007		512358	2	

CHEVROLET TRUCK–HHR

FRONT SUSPENSION



F062

Year	Model/Application	Part	P/C Qty	Figure	
Ball Joint					
2011	(Powdered Metal Gusher Brg. For Better Lubrication)	Lower	K80567 ‡	2 F062	
2010-2008	FE1 Soft Ride Suspension, FE3 Sport Suspension, (Powdered Metal Gusher Brg. For Better Lubrication)	Lower	K80567 ‡	2 F062	
2007-2006	(Powdered Metal Gusher Brg. For Better Lubrication)	Lower	K80567 ‡	2 F062	
Control Arm Bushing					
2011-2006	(For Use On Steel Control Arms, Vertical Mount) (Vertical Mount, Contains Zinc Coating For Use On Aluminum Control Arms) (Horizontal Mount, High Quality Elastomer For Durability And Performance)	Lower Rear	K6698 ‡	2 F062	
		Lower Rear	K201285 ‡	2 F062	
		Lower Front	K200361 ‡	2 F062	
Control Arm with Ball Joint					
2011	(Forged Arm, Contains Bushings, R-Series)	Left Lower	RK620898	1 F062	
		Right Lower	RK620897	1 F062	
2010-2008	FE1 Soft Ride Suspension, FE3 Sport Suspension, (Forged Arm, Contains Bushings, R-Series)	Left Lower	RK620898	1 F062	
		FE1 Soft Ride Suspension, FE3 Sport Suspension, (Stamped Steel Arm, Greaseable Socket Reduces Corrosion/Wear, Contains Ball And Socket Design Vertical Bushing)	Left Lower	CK620302 ‡	1 F062
			Left Lower	RK620302	1 F062
		FE1 Soft Ride Suspension, FE3 Sport Suspension, (Stamped Steel Arm, R-Series)	Right Lower	RK620897	1 F062
			FE1 Soft Ride Suspension, FE3 Sport Suspension, (Stamped Steel Arm, Greaseable Socket Reduces Corrosion/Wear, Contains Ball And Socket Design Vertical Bushing)	Right Lower	CK620301 ‡
		Right Lower		RK620301	1 F062
2007-2006	(Forged Arm, Contains Bushings, R-Series)	Left Lower	RK620898	1 F062	
		Right Lower	RK620897	1 F062	
Strut and Spring Assembly					
2011-2010		Left	ST8597L	1 F062	
		Right	ST8597R	1 F062	
2009-2008	Naturally Aspirated	Left	ST8597L	1 F062	
		Right	ST8597R	1 F062	
2007-2006		Left	ST8597L	1 F062	
		Right	ST8597R	1 F062	
Strut Bumper Bellows					
2011-2006	(Replacement Type, Contains Bumper)		K90460	2 F062	
Strut Mount					
2011-2006	(Contains Bearing, Superior Rubber To Steel Bonding For Durability)		K160052 ‡	2 F062	
Strut Spring Seat					
2011-2006	(Contains Insulator) (Insulator Only, Reduces Noise)	Upper	K160136 ‡	2 F062	
		Lower	K160137 ‡	2 F062	