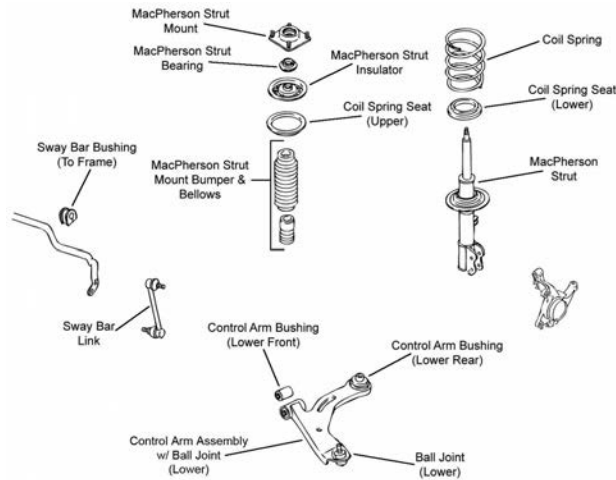


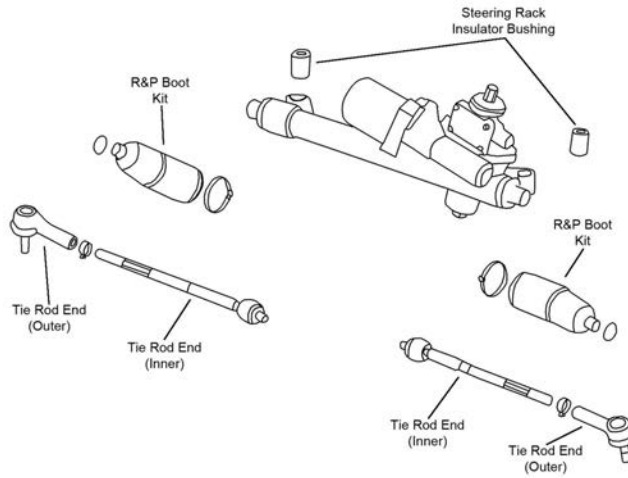
FRONT SUSPENSION



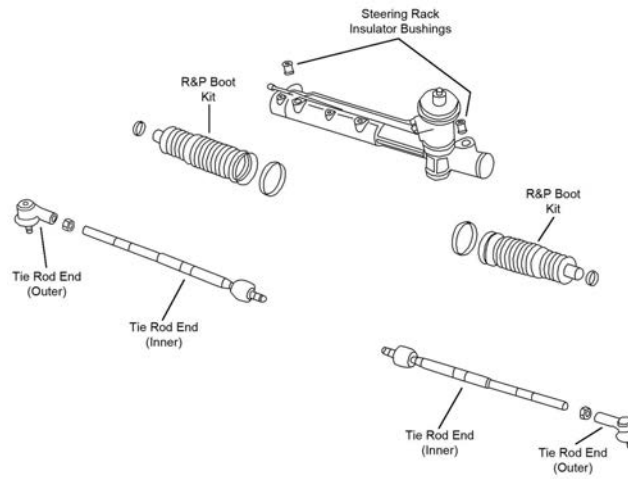
F331

Year	Model/Application	Part	P/C Qty	Figure
Ball Joint				
2012-2001	(Powdered Metal Gusher Brg. For Better Lubrication)	Lower	K80107 ‡	2 F331
Control Arm Bushing				
2017-2013		Lower Front	K201191	2
2012-2005	(High Quality Elastomer For Durability And Performance)	Lower Front	K200246 ‡	2 F331
2012-2003	(Durable Socket Design Eases Installation, Vertical Mount)	Lower Rear	K200795 ‡	2 F331
Complete Knuckle Assembly				
2012-2001	(Contains Snap Ring, Bearing, Knuckle, Hub Assembly, Backing Plate And Axle Nut)	Left	LK015 ‡	1
	(Contains Snap Ring, Bearing, Knuckle, Hub Assembly, Backing Plate And Axle Nut)	Right	LK016 ‡	1
Strut and Spring Assembly				
2012-2001	(Strut, Spring & Top Mount)	Left	ST8579L	1 F331
	(Strut, Spring & Top Mount)	Right	ST8579R	1 F331
Strut Bumper Bellows				
2018-2013	(Replacement Type, Contains Bumper)		K90460	2
2012-2001	(Contains Bumper)		K90464	2 F331
Strut Mount				
2018-2013	(Contains Bearing, Contains Spacer)		K160407	2
2012-2001	(Contains Bearing)		K80143	2 F331
Strut Spring Seat				
2012-2001		Lower	K160019	2 F331
Sway Bar Bushing				
2012-2009		To Frame	K201311	1 F331
2008	2261cc(2.3L), Automatic Transaxle 2261cc(2.3L), Manual Transaxle 181(3.0L), 16" Wheels 181(3.0L), 17" Wheels	To Frame	K201310	1 F331
		To Frame	K201311	1 F331
		To Frame	K201310	1 F331
		To Frame	K201311	1 F331
2007	From 1/8/07 Thru 1/7/07	To Frame	K201311	1 F331
		To Frame	K201356	1 F331
Sway Bar Link				
2017-2016			K750802	2
2015-2013	(Greaseable Socket Reduces Corrosion/Wear)		K750554 ‡	2
2012-2005	(Full Ball Stud Provides 360 Degrees Of Smooth Rotation)		K80296 ‡	2 F331
Wheel Hub Repair Kit				
2012-2001			518515	2

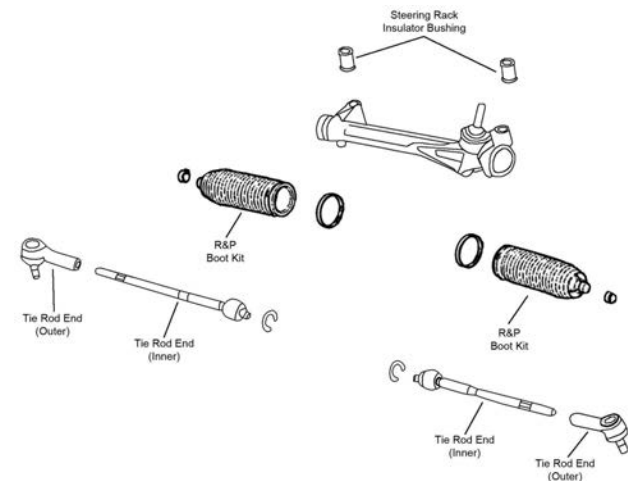
STEERING



S262

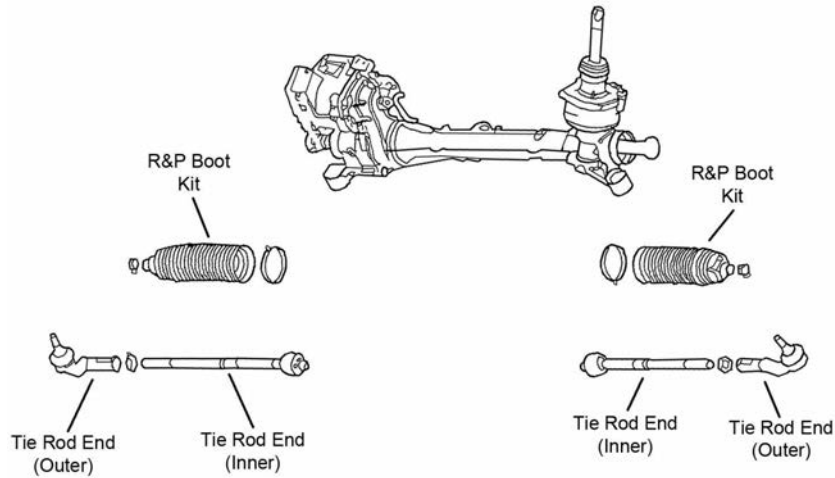


S264



S266

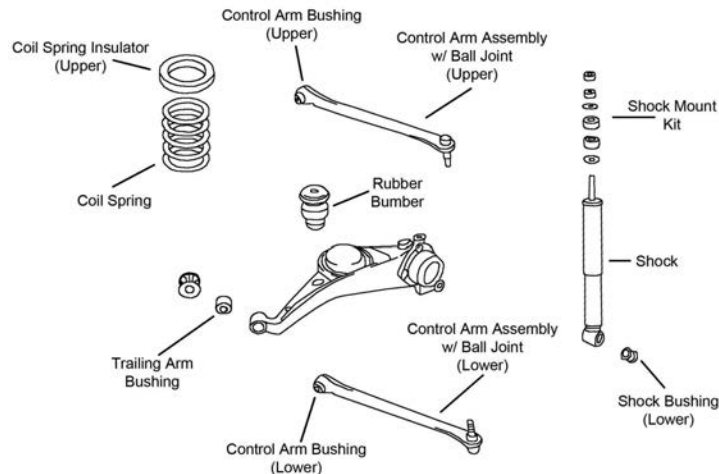
STEERING (Cont.)



S346

Year	Model/Application	Part	P/C Qty	Figure	
Rack & Pinion Boot Kit					
2012-2010		K150289	2	S266	
2009	From 6/4/09	K150289	2	S266	
Tie Rod End					
2017-2013	(Design Allows Ease Of Installation) (Design Allows Ease Of Installation) (Design Allows Ease Of Installation)	Left Outer Right Outer Inner	ES800955 ‡ ES800954 ‡ EV800898 ‡	1 1 2	S346 S346 S346
2012-2010	(Greaseable Socket Reduces Corrosion/Wear) (Design Allows Ease Of Installation)	Outer Inner	ES800846 ‡ EV800911 ‡	2 2	S266 S266
2009	14mm Rod End Thread, (Greaseable Socket Reduces Corrosion/Wear) 14mm Rod End Thread, (Design Allows Ease Of Installation) 16mm Rod End Thread, (Powdered Metal Gusher Brg. For Better Lubrication) 16mm Rod End Thread, (Full Ball Stud Provides 360 Degrees Of Smooth Rotation)	Outer Inner Outer Inner	ES800846 ‡ EV800911 ‡ ES3631 ‡ EV800366 ‡	2 2 2 2	S266 S266 S266 S266
2008	(Powdered Metal Gusher Brg. For Better Lubrication) (Full Ball Stud Provides 360 Degrees Of Smooth Rotation)	Outer Inner	ES3631 ‡ EV800366 ‡	2 2	S266 S266
2007-2005	Gasoline, (Powdered Metal Gusher Brg. For Better Lubrication) Gasoline, (Full Ball Stud Provides 360 Degrees Of Smooth Rotation) Gasoline/Electric, (Greaseable Socket Reduces Corrosion/Wear) Gasoline/Electric, (Full Ball Stud Provides 360 Degrees Of Smooth Rotation)	Outer Inner Outer Inner	ES3631 ‡ EV424 ‡ ES800846 ‡ EV800769 ‡	2 2 2 2	S264 S264 S262 S262

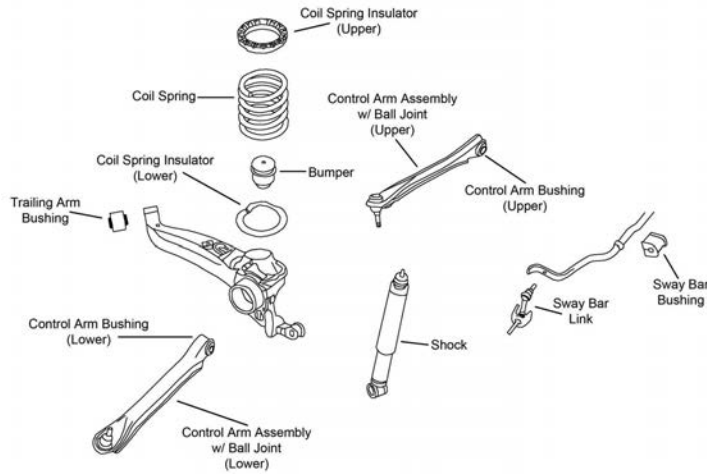
REAR SUSPENSION



R114

FORD TRUCK-Escape (Cont.)

REAR SUSPENSION (Cont.)



R115

Year	Model/Application	Part	P/C Qty	Figure
Ball Joint				
2008-2001	(Powdered Metal Gusher Brg. For Better Lubrication)	Lower	K500135 ‡	2 R114
Control Arm				
2017-2013	(R-Series) Up To Minus 1-1/2 To Plus 5 Degrees Camber, (Lateral Link, R-Series)	Lower Rear Upper	RK642951 RK100002	2 2
Control Arm Bushing				
2008-2001	(High Quality Elastomer For Durability And Performance)	Upper	K200359 ‡	4 R114
	(High Quality Elastomer For Durability And Performance)	Lower	K200360 ‡	4 R114
Control Arm with Ball Joint				
2012-2009	(R-Series)	Left Upper	RK621456	1 R115
	(R-Series)	Right Upper	RK621457	1 R115
	(R-Series)	Left Lower	RK621454	1 R115
	(R-Series)	Right Lower	RK621455	1 R115
	2 Degree Camber Plus Or Minus, 12mm Bushing Sleeve, (Adjustable, R-Series)	Upper	RK100072	2 R115
2008-2001	(R-Series)	Left Upper	RK622126	1 R114
	(R-Series)	Right Upper	RK622127	1 R114
	(Contains Bushings, Powdered Metal Gusher Brg. For Better Lubrication)	Left Lower	CK620318 ‡	1 R114
	(R-Series)	Left Lower	RK620318	1 R114
	(R-Series)	Right Lower	RK620317	1 R114
	2 Degree Camber Plus Or Minus, 12mm Bushing Sleeve, (Adjustable, R-Series)	Upper	RK100072	2 R114
Sway Bar Bushing				
2012-2009		To Frame	K201312	1 R115
Sway Bar Link				
2017-2013	(Design Allows Ease Of Installation)		K750743 ‡	2
2012-2009	(Improves Upon OE Design)		K750571 ‡	2 R115
Trailing Link Bushing				
2012-2009			K201678	2 R115
2008-2001			K201678	2 R114
Wheel Hub & Bearing Assembly				
2017-2013	All Wheel Drive		512500	2
	Front Wheel Drive, Active Park Assist		512496	2
	Front Wheel Drive, Except Active Park Assist		512499	2