

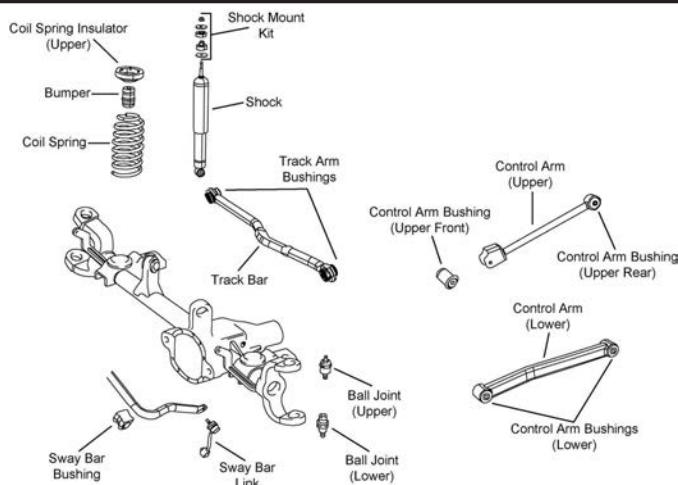
# JEEP-Renegade

## FRONT SUSPENSION

Year	Model/Application	Part	P/C Qty	Figure
<b>Sway Bar Link</b>				
2018-2015		K750795	2	
<b>Wheel Hub &amp; Bearing Assembly</b>				
2018-2015		513389	2	
<b>STEERING</b>				
Year	Model/Application	Part	P/C Qty	Figure
<b>Tie Rod End</b>				
2018-2015	Left Outer	ES801215 ‡	1	
	Right Outer	ES801214 ‡	1	
<b>REAR SUSPENSION</b>				
Year	Model/Application	Part	P/C Qty	Figure
<b>Sway Bar Link</b>				
2017	Front Wheel Drive, Thru 1/27/17	K750795	2	
2016-2015	Front Wheel Drive	K750795	2	
<b>Wheel Hub &amp; Bearing Assembly</b>				
2018-2015	All Wheel Drive	513389	2	
	Front Wheel Drive	512568	2	

# JEEP-Wrangler

## FRONT SUSPENSION



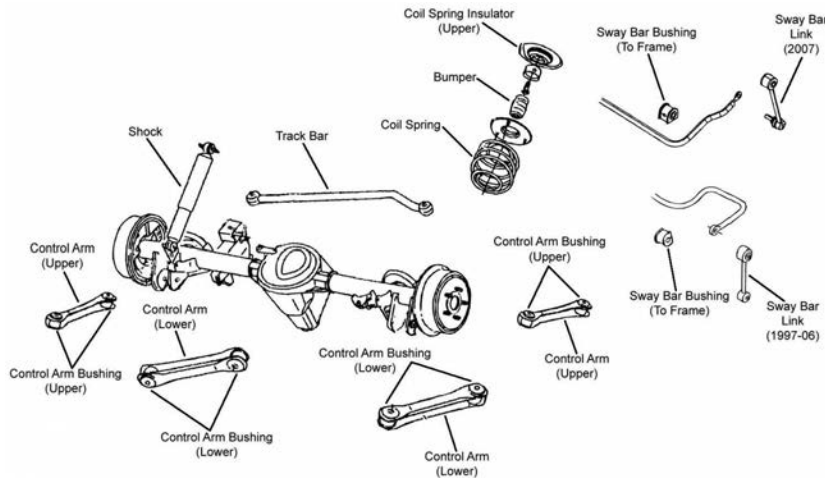
F394

Year	Model/Application	Part	P/C Qty	Figure	
<b>Ball Joint</b>					
2017-2007	(Includes Patented Cover Plate Design For Tighter Tolerances)	Upper	K3134T ‡	2	F394
	(Replaces OEM Offset To Provide 1 Degree +/- Camber/Caster)	Upper	K100311	2	F394
	(Replaces OEM Offset To Provide 1/2 Degree +/- Camber/Caster)	Upper	K100056	2	F394
	(Replaces OEM Offset To Provide 1-1/2 Degree +/- Camber/Caster)	Upper	K100312	2	F394
	(Replaces OEM Offset To Provide 2 Degree +/- Camber/Caster)	Upper	K100198	2	F394
	(Powdered Metal Gusher Brg. For Better Lubrication, New Pre-Installed Integral Dust Boot Eases Installation, New And Original Designs Can Be Installed)	Lower	K3185 ‡	2	F394
	(Replaces OEM Offset To Provide 1-3/4 Degree +/- Caster/Camber, Powdered Metal Gusher Brg. For Better Lubrication)	Lower	K7403 ‡	2	F394
<b>Control Arm</b>					
2017-2007	(Ball Joint Not Included, R-Series)	Upper	RK641822	2	F394
	(R-Series)	Lower	RK621823	2	F394
	Plus Or Minus 3 Degrees Caster And Plus Or Minus 3 Degrees Pinion Angle, (Adjustable, R-Series)	Upper	RK100217	2	F394
<b>Control Arm Bushing</b>					
2017-2007	(High Quality Elastomer For Durability And Performance)	Upper To Axle	K200187 ‡	2	F394
2010-2007	(High Quality Elastomer For Durability And Performance)	Lower	K200309 ‡	4	F394
	(High Quality Elastomer For Durability And Performance)	Upper To Frame	K200308 ‡	2	F394
<b>Sway Bar Bushing</b>					
2017-2007		To Frame	K7466	1	F394

FRONT SUSPENSION (Cont.)				
Year	Model/Application	Part	P/C Qty	Figure
<b>Sway Bar Link</b>				
2017-2007	(Full Ball Stud Provides 360 Degrees Of Smooth Rotation)	K750453 ‡	2	F394
<b>Track Bar Bushing</b>				
2017-2007	1.56" Outside Diameter, (Contains Cross Axis Bushing)	Driver Side K201643	1	F394
	1.45" Outside Diameter, (Improved Design, Contains Conventional Non Cross Axis Bushing)	Passenger Side K201644	1	F394
	1.45" Outside Diameter, (OEM Type, Contains Conventional Non Cross Axis Bushing)	Passenger Side K200708	1	F394
<b>Wheel Hub &amp; Bearing Assembly</b>				
2010-2007		513272	2	
<b>STEERING</b>				
S179				
Year	Model/Application	Part	P/C Qty	Figure
<b>Drag Link Adjusting Sleeve</b>				
2017	(Coated For Corrosion Resistance)	Pitman Arm To Connecting Rod ES2012S ‡	1	
<b>Drag Link Assembly</b>				
2017-2007	(Powdered Metal Gusher Brg. For Better Lubrication)	At Pitman Arm ES3624 ‡	1	S179
<b>Pitman Arm</b>				
2017-2007		K440026 ‡	1	S179
<b>Steering Linkage Assembly</b>				
2016-2007	(Contains Adjusting Sleeves, Drag Link And Tie Rod Ends)	DS800982A ‡	1	S179
<b>Tie Rod Adjusting Sleeve</b>				
2017-2007	(Design Allows Ease Of Installation)	To Left Outer Tie Rod End ES800983S ‡	1	S179
2012-2007	(Coated For Corrosion Resistance)	Pitman Arm To Connecting Rod ES2012S ‡	1	S179
<b>Tie Rod End</b>				
2017-2007	(Powdered Metal Gusher Brg. For Better Lubrication) (Greaseable Socket Reduces Corrosion/Wear)	Left Outer ES800594 ‡	1	S179
		Lower Right Outer DS300043 ‡	1	S179
		Upper Right Outer DS300005 ‡	1	S179

# JEEP-Wrangler (Cont.)

## REAR SUSPENSION

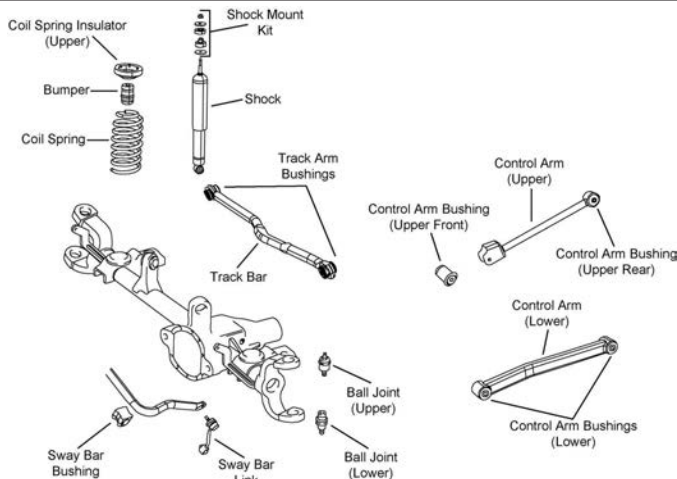


R040

Year	Model/Application	Part	P/C Qty	Figure
<b>Control Arm</b>				
2017-2011	(R-Series)	Upper	RK642032	2 R040
2017-2007	(R-Series)	Lower	RK641777	2 R040
	Plus Or Minus 3 Degrees Pinion Angle, (Adjustable, R-Series)	Upper	RK100216	2 R040
2010-2007	(Arm Only, R-Series)	Upper	RK642032	2 R040
<b>Control Arm Bushing</b>				
2013-2007	(High Quality Elastomer For Durability And Performance)	Upper	K200311 ‡	4 R040
	(High Quality Elastomer For Durability And Performance)	Lower	K200310 ‡	4 R040
<b>Sway Bar Bushing</b>				
2018	Sport, Sport S, Unlimited Sahara, Unlimited Sport, Unlimited Sport S, Unlimited Rubicon, Sport Utility Vehicle (4 Dr.)	To Frame	K201637	1 R040
		To Frame	K201636	1 R040
2017-2007	Except Performance Suspension	To Frame	K201637	1 R040
	Performance Suspension	To Frame	K201636	1 R040
<b>Sway Bar Link</b>				
2017-2007	(Powdered Metal Gusher Brg. For Better Lubrication)		K6700 ‡	2 R040
<b>Track Bar Bushing</b>				
2017-2007	1.59" Outside Diameter		K200709	2 R040
2016-2010	(OEM Type)		K201689	2 R040

# JEEP-Wrangler JK

## FRONT SUSPENSION



F394

Year	Model/Application	Part	P/C Qty	Figure
<b>Ball Joint</b>				
2018	(Includes Patented Cover Plate Design For Tighter Tolerances)	Upper	K3134T ‡	2

FRONT SUSPENSION (Cont.)				
Year	Model/Application	Part	P/C Qty	Figure
<b>Ball Joint</b>				
2018 (Cont.)	(Replaces OEM Offset To Provide 1 Degree +/- Camber/Caster)	Upper	<b>K100311</b>	2 F394
	(Replaces OEM Offset To Provide 1/2 Degree +/- Camber/Caster)	Upper	<b>K100056</b>	2 F394
	(Replaces OEM Offset To Provide 1-1/2 Degree +/- Camber/Caster)	Upper	<b>K100312</b>	2 F394
	(Replaces OEM Offset To Provide 2 Degree +/- Camber/Caster)	Upper	<b>K100198</b>	2 F394
	(Powdered Metal Gusher Brg. For Better Lubrication, New Pre-Installed Integral Dust Boot Eases Installation, New And Original Designs Can Be Installed)	Lower	<b>K3185 ‡</b>	2
	(Replaces OEM Offset To Provide 1-3/4 Degree +/- Caster/Camber, Powdered Metal Gusher Brg. For Better Lubrication)	Lower	<b>K7403 ‡</b>	2 F394
<b>Control Arm</b>				
2018	(R-Series)	Upper	<b>RK641822</b>	2
	(R-Series)	Lower	<b>RK621823</b>	2
	Plus Or Minus 3 Degrees Caster And Plus Or Minus 3 Degrees Pinion Angle, (Adjustable, R-Series)	Upper	<b>RK100217</b>	2 F394
<b>Control Arm Bushing</b>				
2018	(High Quality Elastomer For Durability And Performance)	Upper To Axle	<b>K200187 ‡</b>	2
<b>Sway Bar Bushing</b>				
2018			<b>K7466</b>	2
<b>Sway Bar Link</b>				
2018	(Full Ball Stud Provides 360 Degrees Of Smooth Rotation)		<b>K750453 ‡</b>	2
<b>Track Bar Bushing</b>				
2018	1.56" Outside Diameter, (Contains Cross Axis Bushing)	Driver Side	<b>K201643</b>	1
	1.45" Outside Diameter, (Improved Design, Contains Conventional Non Cross Axis Bushing)	Passenger Side	<b>K201644</b>	1
<b>STEERING</b>				
Year	Model/Application	Part	P/C Qty	Figure
<b>Drag Link Adjusting Sleeve</b>				
2018	(Coated For Corrosion Resistance)	Pitman Arm To Connecting Rod	<b>ES2012S ‡</b>	1
<b>Drag Link Assembly</b>				
2018	(Powdered Metal Gusher Brg. For Better Lubrication)	At Pitman Arm	<b>ES3624 ‡</b>	1
<b>Pitman Arm</b>				
2018			<b>K440026 ‡</b>	1
<b>Tie Rod Adjusting Sleeve</b>				
2018	(Design Allows Ease Of Installation)		<b>ES800983S ‡</b>	2
<b>Tie Rod End</b>				
2018	(Powdered Metal Gusher Brg. For Better Lubrication)	Left Outer	<b>ES800594 ‡</b>	1
	(Greaseable Socket Reduces Corrosion/Wear)	Lower Right Outer	<b>DS300043 ‡</b>	1
	(Greaseable Socket Reduces Corrosion/Wear)	Upper Right Outer	<b>DS300005 ‡</b>	1
<b>REAR SUSPENSION</b>				
R040				
Year	Model/Application	Part	P/C Qty	Figure
<b>Control Arm</b>				
2018	(R-Series)	Upper	<b>RK642032</b>	2

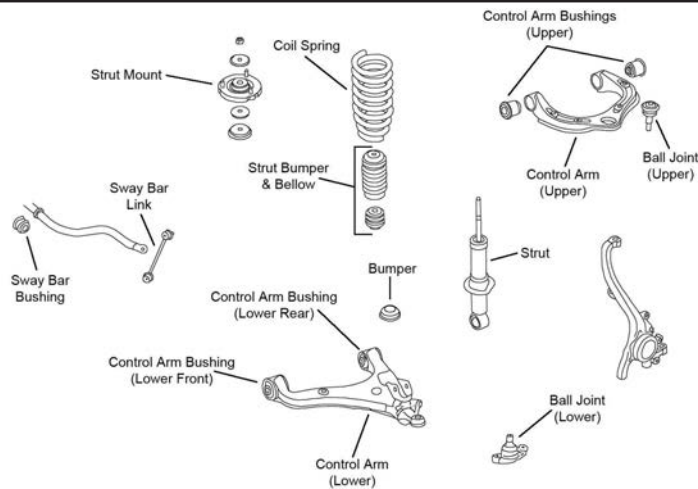
## JEEP-Wrangler JK (Cont.)

### REAR SUSPENSION (Cont.)

Year	Model/Application	Part	P/C Qty	Figure
<b>Control Arm</b>				
2018 (Cont.)	(R-Series)	Lower	RK641777	2
	Plus Or Minus 3 Degrees Pinion Angle, (Adjustable, R-Series)	Upper	RK100216	2
<b>Sway Bar Bushing</b>				
2018	17mm Sway Bar Diameter	To Frame	K201636	1
	19mm Sway Bar Diameter	To Frame	K201637	1
<b>Sway Bar Link</b>				
2018	(Powdered Metal Gusher Brg. For Better Lubrication)		K6700 ‡	2
<b>Track Bar Bushing</b>				
2018	(OEM Type)		K201689	2
	1.59" Outside Diameter		K200709	2

## KIA TRUCK-Borrego

### FRONT SUSPENSION



F438

Year	Model/Application	Part	P/C Qty	Figure
<b>Ball Joint</b>				
2011-2009	(Greaseable Socket Reduces Corrosion/Wear) (Design Allows Ease Of Installation)	Upper	K500233 ‡	2
		Lower	K500116 ‡	2
<b>Control Arm</b>				
2011-2009	(R-Series) Four Wheel Drive (4X4), (R-Series)	Left Lower	RK642258	1
		Right Lower	RK642259	1
<b>Control Arm with Ball Joint</b>				
2011-2009	(R-Series) (R-Series)	Left Upper	RK622254	1
		Right Upper	RK622255	1
<b>Strut Bumper Bellows</b>				
2011-2009	(Design Allows Ease Of Installation)		K160285 ‡	2
<b>Sway Bar Bushing</b>				
2011-2009		To Frame	K201579	1
<b>Sway Bar Link</b>				
2011-2009	(Improves Upon OE Design) (Improves Upon OE Design)	Left	K750614 ‡	1
		Right	K750615 ‡	1